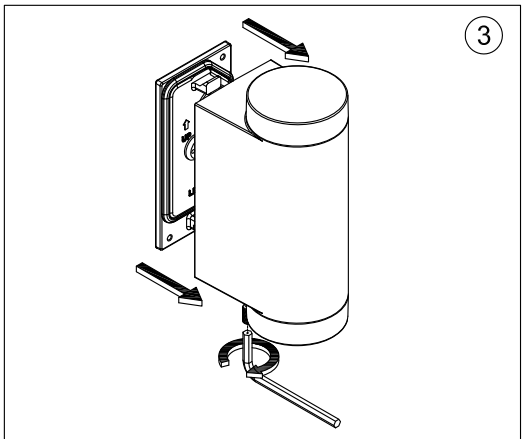
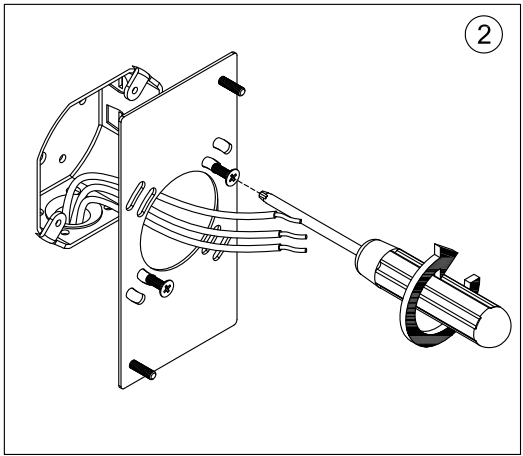
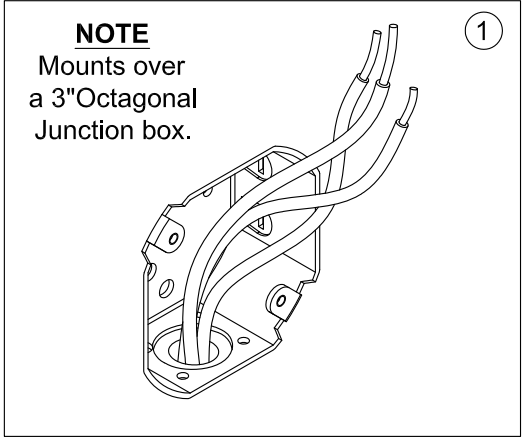
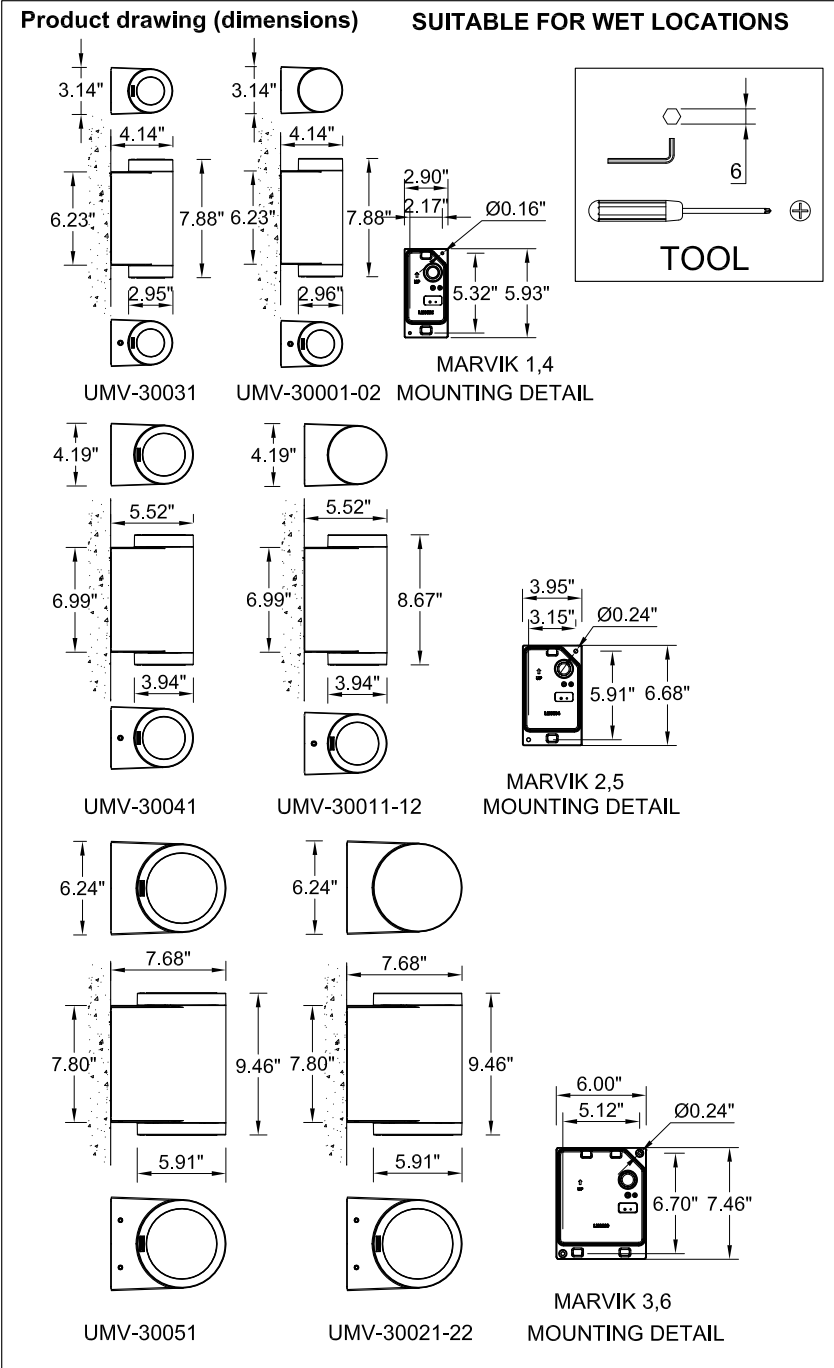


For installation of Marvik Wall surface luminaires.
Model. UMV-30001-02,UMV-30011-12,UMV-30021-22,UMV-30031,UMV-30041,AND UMV-30051.



Notice to installer :

- 1.WIRING INSTRUCTIONS Warning : RISK OF FIRE AND ELECTRICAL SHOCK. : FIXTURE MUST BE INSTALLED BY A QUALIFIED ELECTRICIAN ONLY>FIXTURE IS INTENDED FOR INSTALLATION IN ACCORDANCE WITH THE NATIONAL ELECTRICAL CODE, LOCAL AND FEDERAL CODE SPECIFICATIONS. DISCONNECT POWER BEFORE SERVICING.**
- 2.This fixture has a VOLTAGE SPECIFIC BALLAST,Check that the supply voltage is the same as the installed ballast voltage.**

Ligman Lighting USA

7144 NW Progress Court, Hillsboro
 Oregon, 97124, USA
 Tel : 503 645 0500 | Fax : 503 645 8100

www.ligmanlightingusa.com

UMV-30001 17/10/16/REV.0
 1/2



FM-TS-13/25-05-2007-REV.2

