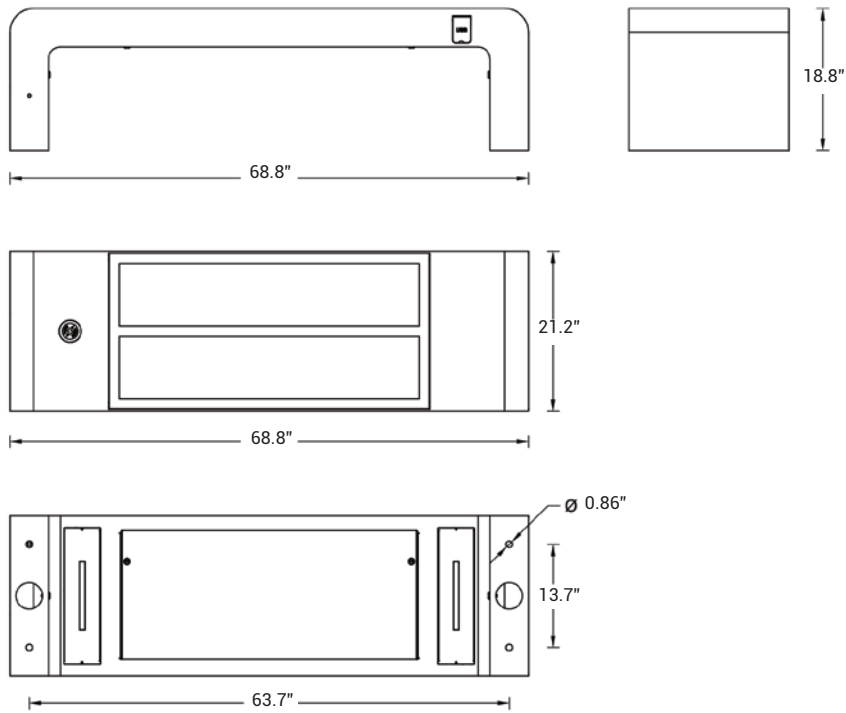
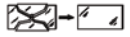


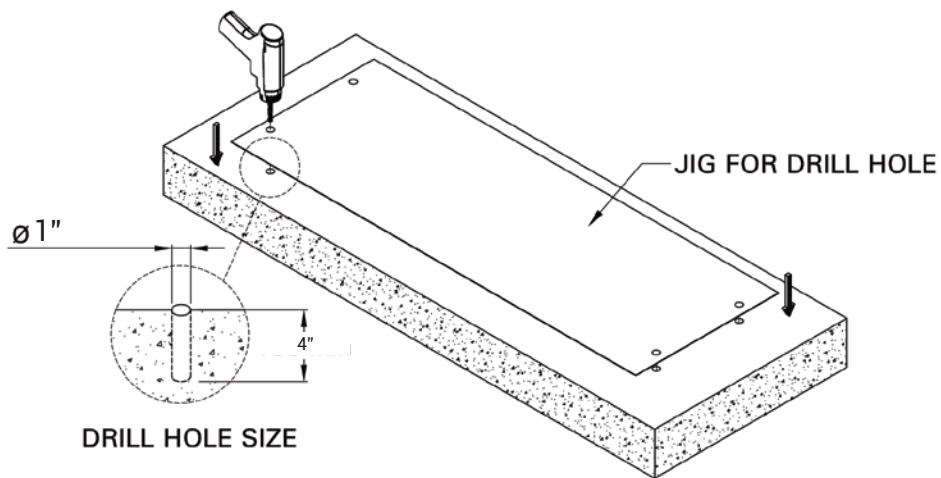
DURHAM - DUH-10001



## Product drawing (dimensions)



MOUNTING DETAIL



1

