

USE-90022-A30260

Steamer Medium Round Surface



Construction

Aluminum
Less than 0.1% copper content – Marine Grade 6060 extruded & LM6 Aluminum High Pressure die casting provides excellent mechanical strength, clean detailed product lines and excellent heat dissipation.

Pre paint
8 step decrease and phosphate process that includes deoxidizing and etching as well as a zinc and nickel phosphate process before product painting.

Memory Retentive -Silicon Gasket
Provided with special injection molded "fit for purpose" long life high temperature memory retentive silicon gaskets. Maintains the gaskets exact profile and seal over years of use and compression.

Thermal management
LM6 Aluminum is used for its excellent mechanical strength and thermal dissipation properties in low and high ambient temperatures. The superior thermal heat sink design by Ligman used in conjunction with the driver, controls thermals below critical temperature range to ensure maximum luminous flux output, as well as providing long LED service life and ensuring less than 10% lumen depreciation at 50,000 hours.

Surge Suppression
Standard 10kv surge suppressor provided with all fixtures.

BUG Rating
B3 - U0 - G3

Finishing
All Ligman products go through an extensive finishing process that includes fettling to improve paint adherence.

Paint
UV Stabilized 4.9Mil thick powder coat paint and baked at 200 Deg C. This process ensures that Ligman products can withstand harsh environments. Rated for use in natatoriums.

MicroPRIM Finishes

MicroPRIM is Ligman's trade marked decorative powder coating technology that permanently infuses colors, patterns, or imagery directly into the surface of luminaires and poles while providing protections that standard powder coating does not offer.

MicroPRIM finishes include nature-inspired wood grains and stone aesthetics, material-inspired finishes such as brushed metal, concrete, and carbon fiber. Solid colors in Ligman standard colors, as well as any RAL or Pantone color, Decorative patterns, custom imagery and more.

Coating and Infusion Process

Metal components are pre-treated and powder coated with a proprietary polyurethane-based coating engineered for outdoor architectural use. Decorative patterns or imagery are then permanently infused into the cured powder coat through a heat-based process, creating a durable, integrated finish.

Performance and Validation

MicroPRIM finishes are suitable for indoor and outdoor applications and meet AAMA2605 architectural coating requirements. Performance is validated through laboratory and real-world testing to ASTM standards for UV exposure, adhesion, abrasion, impact, salt spray, chemical resistance, and graffiti resistance.

All MicroPRIM finishes are backed by Ligman's 10-year warranty.

Key Performance Attributes
•Anti-graffiti resistance
•UV and weather resistance
•Scratch and abrasion resistance
•Natatorium Rated for installation in corrosive environments

Hardware
Provided Hardware is Marine grade 316 Stainless steel.

Anti Seize Screw Holes
Tapped holes are infused with a special anti seize compound designed to prevent seizure of threaded connections, due to electrolysis from heat, corrosive atmospheres and moisture.

Crystal Clear Low Iron Glass Lens
Provided with tempered, impact resistant crystal clear low iron glass ensuring no green glass tinge.

Optics & LED
Precise optic design provides exceptional light control and precise distribution of light.
LED CRI > 80

Lumen - Maintenance Life
L80 /B10 at 50,000 hours (This means that at least 90% of the LED still achieve 80% of their original flux)

Surface wall-mounted contemporary area lighting family. Modern and powerful high-end, optimum-quality area lighting projectors.

A slim, wedge-shaped, high-pressure die-cast pole-mounted area light designed with a full range of distributions to meet the needs of lighting designers in various applications. This luminaire provides outstanding performance through highly efficient LED packages paired with precision-engineered optics, delivering excellent spacing-to-mounting-height ratios and uniform illumination that meets code requirements while reducing energy consumption.

The Steamer can be configured with asymmetrical Type II, III, IV, and ME optical distributions—including customized variations for projects requiring highly specific light patterns. For example, Type II and Type IV optics can be combined within the same fixture to achieve unique distribution requirements.

Type V distributions are also available in narrow, medium, wide, very wide, and extra-wide options; please contact the factory for additional details.

This luminaire meets dark-sky requirements when installed in a level, horizontal orientation. It is ideal for illuminating private roadways, parking areas, exhibition sites, service stations, and truck stops. Optional internal house-side shields are available to further control backlight.

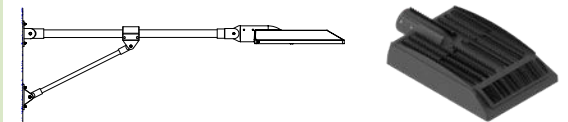
A range of integral electronic and dimmable drivers is offered, along with options for occupancy sensors and wireless lighting controls compatible with building management platforms. (Customer to Specify System)

The fixture features a programmable driver (WATT-ADJUST), allowing factory-set wattage configurations tailored to project specifications.

To comply with International Dark Sky Association (IDA) guidelines, the luminaire must be equipped with 3000K (or warmer) LEDs and installed in a fixed horizontal position (±15° allowable for leveling).

This fixture is designed for ASCE 7 Exposure Category B wind conditions. Contact Ligman for applications in higher-wind areas.

Additional Options (Consult Factory For Pricing)



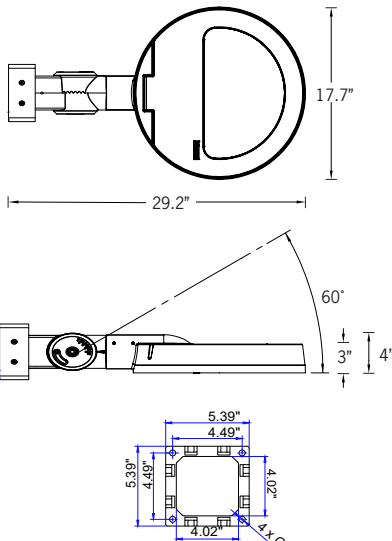
A31291 Gantry Arm Wall Mount BD Bird Deterrent Spikes



A90991 Zhaga Book 18 A90891 NEMA 7



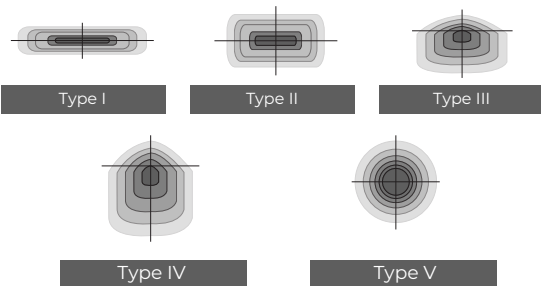
105w LED 14,374 Lumens (For lower Wattages See Page 2)
IP66 · Suitable For Wet Locations
IK08 · Impact Resistant (Vandal Resistant)
Weight 22.2 lbs



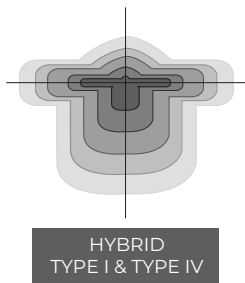
Mounting Detail



Ligman's micro Variable Optical System provides the ability to interchange, mix & rotate optics to provide specific light distributions for optimized spacing and uniformity.



The variable optic system allows for the designer to create hybrid distributions for precise lighting requirements.



USE-90022-A30260

Steamer Medium Round Surface



PROJECT	<input type="text"/>	DATE	<input type="text"/>
---------	----------------------	------	----------------------

QUANTITY	<input type="text"/>	TYPE	<input type="text"/>	NOTE	<input type="text"/>
----------	----------------------	------	----------------------	------	----------------------

ORDERING EXAMPLE || USE - 90022 - 105w - T2 - W30 - 02 - 120/277v - A30260 - Options

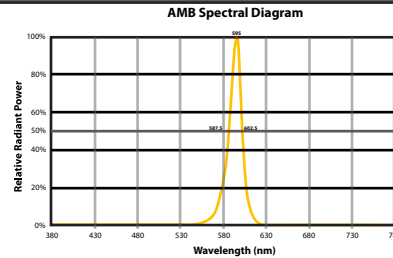
USE-90022	LAMP	BEAM	LED COLOR	FINISH COLOR	VOLTAGE
	105w LED - 14,374lm 80w LED - 10,960lm 50w LED - 6,850lm 29w LED - 3,973lm WATT-ADJUST (Factory programmed to specific wattage)	T1 - Type I Distribution T2 - Type II Distribution T3 - Type III Distribution T4 - Type IV Distribution ME - Type ME Distribution N - Narrow Beam 12° M - Medium Beam 30° W - Wide Beam 57° EW - Extra Wide Beam 119° x 86°	W27 - 2700K W30 - 3000K W35 - 3500K W40 - 4000K AMB - TURTLE FRIENDLY Amber LED	01 - BLACK RAL 9011 02 - DARK GREY RAL 7043 03 - WHITE RAL 9003 04 - METALLIC SILVER RAL 9006 05 - MATTE SILVER RAL 9006 06 - LIGMAN BRONZE 07 - CUSTOM RAL	120/277v

<input type="text"/>	<input type="text"/>	<input type="text"/>
----------------------	----------------------	----------------------

ADDITIONAL OPTIONS

CITY OF FLAGSTAFF & TURTLE FRIENDLY COMPLIANT

- NAT - Natatorium Rated
- BD - Bird Deterrent Spikes
- DIM - 0-10v Dimming
- A90991 - Zhaga Book 18
- OS - Occupancy Sensor
- A90891 - NEMA 7
- A31291 - Gantry Arm Wall Mount



Narrow-Spectrum Amber LEDs
 Peak wavelength between 585 & 595 nanometers and a full width of 50% power no greater than 15 nanometers.

More Custom Finishes Available Upon Request

Consult factory for pricing and lead times

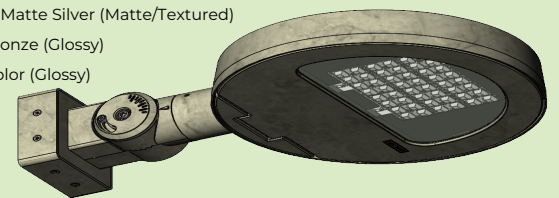
MicroPRIM FINISHES

- SW01 - OAK FINISH
- SW02 - WALNUT FINISH
- SW03 - PINE FINISH
- DF - DOUGLAS FIR FINISH
- CW - CHERRY WOOD FINISH
- NW - NATIONAL WALNUT FINISH
- SU01 - CONCRETE FINISH
- SU02 - SOFTSCAPE FINISH
- SU03 - STONE FINISH
- SU04 - CORTEN FINISH
- CSM - Custom Image/Pattern

MicroPRIM FINISHES

- MP - MAPLE FINISH
- MHG - MAHOGANY FINISH
- BH - BEECH FINISH
- CN - CHESTNUT FINISH
- WMBL - WHITE MARBLE FINISH
- MBL - MARBLE FINISH
- GRNT - GRANITE FINISH
- BGD - BRUSHED GOLD FINISH
- BBRZ - BRUSHED BRONZE FINISH
- CAMO - CAMOUFLAGE FINISH

- MP01 - MicroPRIM RAL 9011 Black (Glossy)
- MP02 - MicroPRIM RAL 7043 Dark Grey (Glossy)
- MP03 - MicroPRIM RAL 9003 White (Glossy)
- MP04 - MicroPRIM RAL 9006 Metallic Silver (Glossy)
- MP05 - MicroPRIM RAL 9006 Matte Silver (Matte/Textured)
- MP06 - MicroPRIM Ligman Bronze (Glossy)
- MP07 - MicroPRIM Custom Color (Glossy)



MicroPRIM Finish

