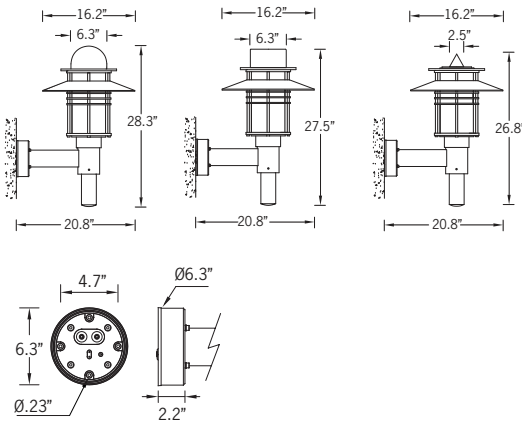


# UEU-30216

## Eurasia 1 Surface



41w COB 991 Lumens  
IP55 • Suitable For Wet Locations  
IK08 • Impact Resistant (Vandal Resistant)  
Weight 28.6 lbs



### Mounting Detail

### Construction

#### Aluminum

Less than 0.1% copper content – Marine Grade 6060 extruded & LM6 Aluminum High Pressure die casting provides excellent mechanical strength, clean detailed product lines and excellent heat dissipation.

#### Pre paint

8 step degrease and phosphate process that includes deoxidizing and etching as well as a zinc and nickel phosphate process before product painting.

#### Memory Retentive -Silicon Gasket

Provided with special injection molded “fit for purpose” long life high temperature memory retentive silicon gaskets. Maintains the gaskets exact profile and seal over years of use and compression.

#### Thermal management

LM6 Aluminum is used for its excellent mechanical strength and thermal dissipation properties in low and high ambient temperatures. The superior thermal heat sink design by Ligman used in conjunction with the driver, controls thermal below critical temperature range to ensure maximum luminous flux output, as well as providing long LED service life and ensuring less than 10% lumen depreciation at 50,000 hours.

#### Surge Suppression

Standard 10kv surge suppressor provided with all fixtures.

#### BUG Rating

B1 - U3 - G1

#### Finishing

All Ligman products go through an extensive finishing process that includes fettling to improve paint adherence.

#### Paint

UV Stabilized 4.9Mil thick powder coat paint and baked at 200 Deg C. This process ensures that Ligman products can withstand harsh environments. Rated for use in natatoriums.

#### Hardware

Provided Hardware is Marine grade 316 Stainless steel.

#### Anti Seize Screw Holes

Tapped holes are infused with a special anti seize compound designed to prevent seizure of threaded connections, due to electrolysis from heat, corrosive atmospheres and moisture.

#### High Impact Acrylic Lens

Manufactured with Ultra High Impact, Naturally UV Stabilized Injection Molded Acrylic.

#### Optics & LED

Precise optic design provides exceptional light control and precise distribution of light. LED CRI > 80

#### Lumen - Maintenance Life

L80 /B10 at 50,000 hours (This means that at least 90% of the LED still achieve 80% of their original flux)

**High-visual-comfort surface wall-mounted family. Robust but decorative urban lighting family with perfect glare-controlled lateral light distribution.**

A wall mounted decorative lantern with a symmetrical light distribution. Developed to complement the Eurasia range of pillar light, post top and bollard luminaires. Designed for various applications including car parks, precincts, pathways and town centers.

This stylish luminaire is manufactured with opal or clear lens with anti glare baffles and is available in a variety of different configurations, that include; a flat top as well as pointed or dome. The point can also be removed to provide a flush finish on the top of the luminaire.

All Ligman fixtures can be manufactured using a special pre-treatment and coating process that ensures the fixture can be installed in natatoriums as well as environments with high concentrations of chlorine or salt and still maintain the 5 year warranty. For this natatorium rated process please specify NAT in options.



# UEU-30216

Eurasia 1 Surface

<b>PROJECT</b>		<b>DATE</b>	
----------------	--	-------------	--

<b>QUANTITY</b>		<b>TYPE</b>		<b>NOTE</b>	
-----------------	--	-------------	--	-------------	--

ORDERING EXAMPLE || UEU - 30216 - 41w - 3 - W30 - 02 - 120/277v - Options

<b>UEU-30216</b>					
<b>LAMP</b>	<b>TOP</b>	<b>LED COLOR</b>	<b>FINISH COLOR</b>	<b>VOLTAGE</b>	
41w COB 991 Lumens	1 - Dome Top  2 - Flat Top  3 - Pointed Top 	W27 - 2700K W30 - 3000K W35 - 3500K W40 - 4000K	01 - BLACK RAL 9011  02 - DARK GREY RAL 7043  03 - WHITE RAL 9003  04 - METALLIC SILVER RAL 9006  05 - MATTE SILVER RAL 9006  06 - LIGMAN BRONZE  07 - CUSTOM RAL 	120/277v Other - Specify	

<b>ADDITIONAL OPTIONS</b>	

NAT - Natatorium Rated  
 DIM - 0-10v Dimming

# Eurasia Product Family



Eurasia 1

- UEU-30216-41w-991lm



Eurasia 1

- UEU-10016-41w-991lm [37"]
- UEU-10026-41w-991lm [48"]



Eurasia 1

- UEU-20286-41w-991lm



Eurasia 1

- UEU-20406-41w-993lm



Eurasia 2

- UEU-30226-41w-1053lm



Eurasia 2

- UEU-10036-41w-1053lm [37"]
- UEU-10046-41w-1053lm [48"]



Eurasia 2

- UEU-20256-41w-993lm