

UVT-20002

Light Linear VT 3 Streetlight



81w LED
5737 Lumens

Weight 60.6 lbs

IP65
Suitable for wet locations

IK08
Impact Resistant [Vandal Resistant]

EPA - 0.50

POLE INCLUDED



Construction

Aluminum

Less than 0.1% copper content - Marine Grade 6060 extruded & LM6 Aluminum High Pressure die casting provides excellent mechanical strength, clean detailed product lines and excellent heat dissipation.

Pre paint

8 step degrease and phosphate process that includes deoxidizing and etching as well as a zinc and nickel phosphate process before product painting.

Memory Retentive -Silicon Gasket

Provided with special injection molded "fit for purpose" long life high temperature memory retentive silicon gaskets. Maintains the gaskets exact profile and seal over years of use and compression.

Thermal management

LM6 Aluminum is used for its excellent mechanical strength and thermal dissipation properties in low and high ambient temperatures. The superior thermal heat sink design by Ligman used in conjunction with the driver, controls thermals below critical temperature range to ensure maximum luminous flux output, as well as providing long LED service life and ensuring less than 10% lumen depreciation at 50,000 hours.

Surge Suppression

Standard 10kv surge suppressor provided with all fixtures.

BUG Rating

B0 - U3 - G4

Finishing

All Ligman products go through an extensive finishing process that includes fettling to improve paint adherence.

Paint

UV Stabilized 4.9Mil thick powder coat paint and baked at 200 Deg C. This process ensures that Ligman products can withstand harsh environments. Rated for use in natatoriums.

Hardware

Provided Hardware is Marine grade 316 Stainless steel.

Anti Seize Screw Holes

Tapped holes are infused with a special anti seize compound designed to prevent seizure of threaded connections, due to electrolysis from heat, corrosive atmospheres and moisture.

Crystal Clear Low Iron Glass Lens

Provided with tempered, impact resistant crystal clear low iron glass ensuring no green glass tinge.

Optics & LED

Precise optic design provides exceptional light control and precise distribution of light. LED CRI > 80

Lumen - Maintenance Life

L80 /B10 at 50,000 hours (This means that at least 90% of the LED still achieve 80% of their original flux)

Public realm contemporary column family.

Ground-breaking potent asymmetric light distribution performance from a vertical form-factor.

Light Linear VT is an elegant futuristic lighting column that is suitable for both modern and classic architecture. Ideal for creating optical guidance with exceptional visual comfort. This lighting column has been developed by Ligman to provide optimal lighting distributions without utilizing traditional outreach arms or fixture heads and in so doing, provides a highly aesthetic and cost effective alternative to traditional street and area lighting options without sky clutter.

This fixture is manufactured in single sided, and double sided options. This specially designed light control optical system with integrated heat sink allows this product to be installed up to 60 ft on center with excellent uniformity, saving on installation costs and visual clutter in parking lots, streetlights and pedestrian areas. This fixture is available in a variety of different light distributions and has lumen packages from 3,570 to 8,683 lumens depending on product specification.

The LED optics have been carefully designed in such a way to ensure that light is evenly projected downward, optimizing light distribution and providing light patterns at maximum spacing that are in accordance with road and area lighting requirements.

An additional feature of this product is that there is zero backlight, thereby eliminating light trespass issues. The fixture is provided fully assembled with fixture head and wiring to the handhole, ensuring quick installation without the necessity of attaching the fixture head or outreach arms.

The dual sealed optical chamber, with integrated heat sinks, houses a range of field interchangeable optically controlled LEDs, providing Type I, II, III & IV distribution, as well as variations of this for precise light distribution requirements. Customer specific wattages can be provided, contact the factory for more information. The sleek and minimalistic shape provides effective lighting at night and decorative urban effects during the day.

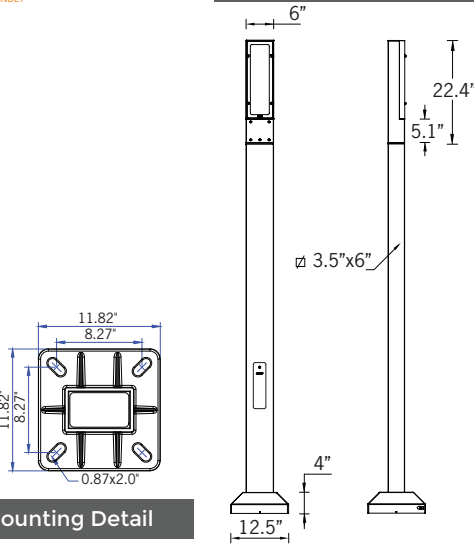
This product range is complemented with high performance optics in the bollard and wall mounted luminaires, to provide a consistent range of design aesthetics for the project. See website for more information. Poles can be provided with GFCI boxes positioned to specific heights specified by the designer. A flat low profile hand hole cover with vandal resistant screws is provided for easy installation.

Available with a selection of integral electronic drivers and dimming drivers, as well as provisions for wireless lighting controls to integrate with building management systems, as well as pole mounted occupancy sensors [contact the factory for more information] Easy access to the luminaire for maintenance.

Additional Options (Consult Factory For Pricing)



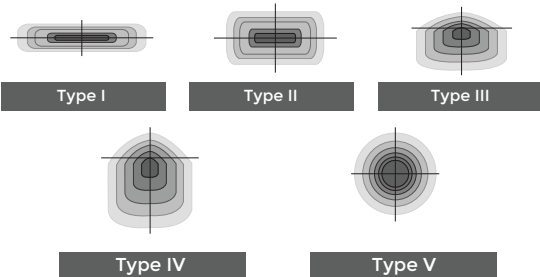
A20891
Root Mount Kit



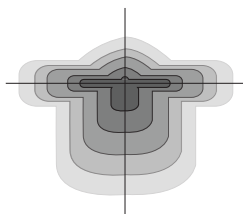
Mounting Detail



Ligman's micro Variable Optical System provides the ability to interchange, mix & rotate optics to provide specific light distributions for optimized spacing and uniformity.



The variable optic system allows for the designer to create hybrid distributions for precise lighting requirements.



HYBRID
TYPE I & TYPE IV

UVT-20002

Light Linear VT 3 Streetlight



PROJECT		DATE	
----------------	--	-------------	--

QUANTITY		TYPE		NOTE	
-----------------	--	-------------	--	-------------	--

ORDERING EXAMPLE || UVT - 20002 - 81w - T2 - W30 - 02 - 18' - 120/277v - Options

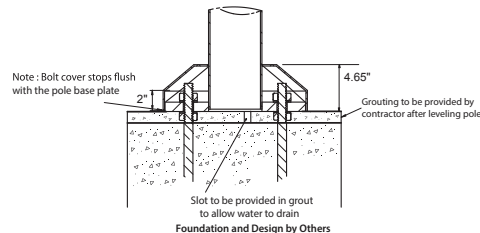
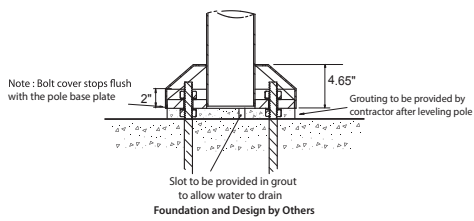
LAMP	BEAM	LED COLOR	FINISH COLOR	POLE HEIGHT	VOLTAGE
81w LED 5737 Lumens WATT-ADJ Specify Watts (80w MAX)	T1 - Type I Distribution T2 - Type II Distribution T3 - Type III Distribution T4 - Type IV Distribution	W27 - 2700K W30 - 3000K W35 - 3500K W40 - 4000K	01 - BLACK RAL 9011 02 - DARK GREY RAL 7043 03 - WHITE RAL 9003 04 - METALLIC SILVER RAL 9006 05 - MATTE SILVER RAL 9006 06 - LIGMAN BRONZE 07 - CUSTOM RAL	8' - 20' (For over 20', contact factory)	120/277v Other - Specify

--	--	--	--

ADDITIONAL OPTIONS

- DIM - 0-10v Dimming
- NAT - Natatorium Rated
- A20891 - Root Mount Kit
- OS - Occupancy Sensor
- AMB - Turtle Friendly Amber LED
- GFCI - GFCI Box
- WLC - Wireless Lighting Controls
- HSS - House Side Shield
- F - Frosted Lens

MOUNTING OPTIONS



Light Linear VT Product Family



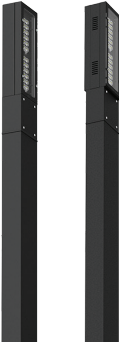
Light Linear VT 1

- UVT-10001-27w-2651lm
- UVT-10002-52w-5287lm



Light Linear VT 2

- UVT-10011-2x27w-2x2651lm
- UVT-10012-2x52w-2x5287lm



Light Linear VT 3

- UVT-20001-56w-4762lm
- UVT-20011-2x56w-2x4762lm



Light Linear VT 4

- UVT-20003-107w-9405lm
- UVT-20004-155w-12645lm



Light Linear VT 5

- UVT-20021-56w-4762lm
- UVT-20022-81w-6429lm



Light Linear VT 6

- UVT-20023-107w-9405lm
- UVT-20024-155w-12645lm