

ULR-95001

Lighthrow Up/Down Light



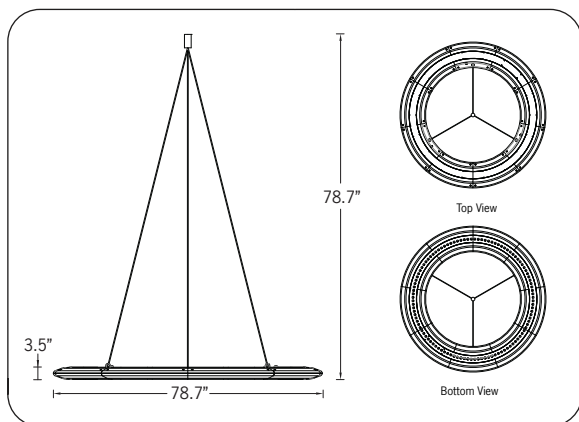
Physical Data

Length • 78.7"

Height • 78.7"

Weight • 46lbs

IP20 • Suitable For Indoor Locations
IK07 • Impact Resistant (Vandal Resistant)



A large circular low profile pendant decorative luminaire with symmetrical up and down light distributions for use in indoor applications. This product was designed for use in atriums for lighting entrances and malls.

The luminaire is pendant mounted on aircraft cable and is available in a selection of energy saving LED modules, 3000K and 4000K for the downlight component, and an optional RGBW color changing for uplight. Each individual aircraft cable is adjustable so that visually interesting spaces can be created by tilting the fixtures.

Aluminum Casting

Less than 0.1% copper content – Marine Grade LM6 Aluminum High Pressure die casting provides excellent mechanical strength, clean detailed product lines and excellent heat dissipation.

Pre paint

8 step degrease and phosphate process that includes deoxidizing and etching as well as a zinc and nickel phosphate process before product painting.

Memory Retentive -Silicon Gasket.

Provided with special injection molded “fit for purpose” long life high temperature **memory retentive silicon gaskets**. Maintains the gaskets exact profile and seal over years of use and compression.

Thermal management.

LM6 Aluminum is used for its **excellent mechanical strength and thermal dissipation properties** in low and high ambient temperatures. The superior thermal heat sink design by Ligman used in conjunction with the driver, controls thermals below critical temperature range to ensure maximum luminous flux output, as well as providing long LED service life and ensuring less than 10% lumen depreciation at 50,000 hours.

Surge Suppression

Standard 10kv surge suppressor provided with all fixtures.

Finishing.

All Ligman products go through an extensive finishing process that includes fettling to improve paint adherence.

Paint.

UV Stabilized 4.9Mil thick powder coat paint and baked at 200 Deg C. This process ensures that Ligman products can withstand harsh environments. Rated for use in natatoriums.

Hardware.

Provided Hardware is **Marine grade 316 Stainless steel**.

Anti Seize Screw Holes

Tapped holes are infused with a **special anti seize compound** designed to prevent seizure of threaded connections, due to electrolysis from heat, corrosive atmospheres and moisture.

Optics & LED

Precise optic design provides **exceptional light control and precise distribution of light**. LED CRI > 80

Lumen - Maintenance Life

L80 /B10 at 50,000 hours (This means that at least 90% of the LED still achieve 80% of their original flux)

Standard Options

Lamp

135w RGBW LED Uplight 6318lm

375w LED Downlight 26667lm

LED Color

W30 • 3000K

W40 • 4000K

Finish Color

- 01 - Black - RAL 9011
- 02 - Dark Grey - RAL 7043
- 03 - White - RAL 9003
- 04 - Metallic Silver - RAL 9006
- 05 - Matte Silver - RAL 9006
- 06 - Bronze - RAL 6014
- 07 - Custom RAL



Ordering Example : ULR - 95001 - 135w/375 - W30 - 02 - 120/277v

Lamp		LED Color	Color	Voltage
ULR	95001	135w RGBW LED Up/375w LED Down		
		W27 2700K W30 3000K W40 4000K	01 Black 02 Dark Grey 03 White 04 Metallic Silver 05 Matte Silver 06 Bronze 07 Custom RAL	120/277v Other (Specify)

PROJECT: DATE: QUANTITY:

TYPE: NOTE:

Ligman Lighting USA reserves the right to change specifications without prior notice, please contact factory for latest information. Due to the continual improvements in LED technology data and components may change without notice.

Head Office:
 7144 NW Progress Ct
 Hillsboro, Oregon 97124
 Tel: 503-645-0500
 Fax: 503-645-8100
www.ligmanlightingusa.com

