

IP55 : Suitable for Wet Locations
 IK07 : Impact Resistant (Vandal Resistant)

UCO-95022

Columbus medium shade pendant

A pendant luminaire with a small and medium size shade decorative lantern and symmetrical light distribution using energy saving compact fluorescent as well as metal halide and high pressure sodium lamps. Developed to compliment the Columbus wall light, Columbus bollard and Atlantic pillar light. Designed for lighting entrances, retail outlets, malls and showrooms.

Painted galvanized steel pendant rod, low copper content die cast housing with high corrosion resistance. Stainless steel screws. Durable silicone rubber gasket and opal glass diffuser. Housing is treated with a chemical chromated protection before powder coating, ensuring high corrosion resistance. Integral control gear.

Physical Data

Diameter: 19.69"
 Height: 38.86"/39.37"
 Weight: 18.3 lbs

Lamp

CFQ 26w/CFTR 32/42w

(For More Lamp options including LED, please Consult the Catalogue, Website or Contact The Ligman Lighting Factory)

Voltage (Please Specify)

120V
 277V
 Other _____

Options (Please Specify)

Color (Please Specify)

01-Black - RAL 9011 02- Dark Grey - RAL 7043
 03-White - RAL 9003 04- Metallic Silver - RAL 9006
 05-Matt Silver - RAL 9006 07- Custom - RAL _____
 06-Bronze - RAL 6014



Shade Style

(1) Swept Shade (2) Straight Shade

Top Style

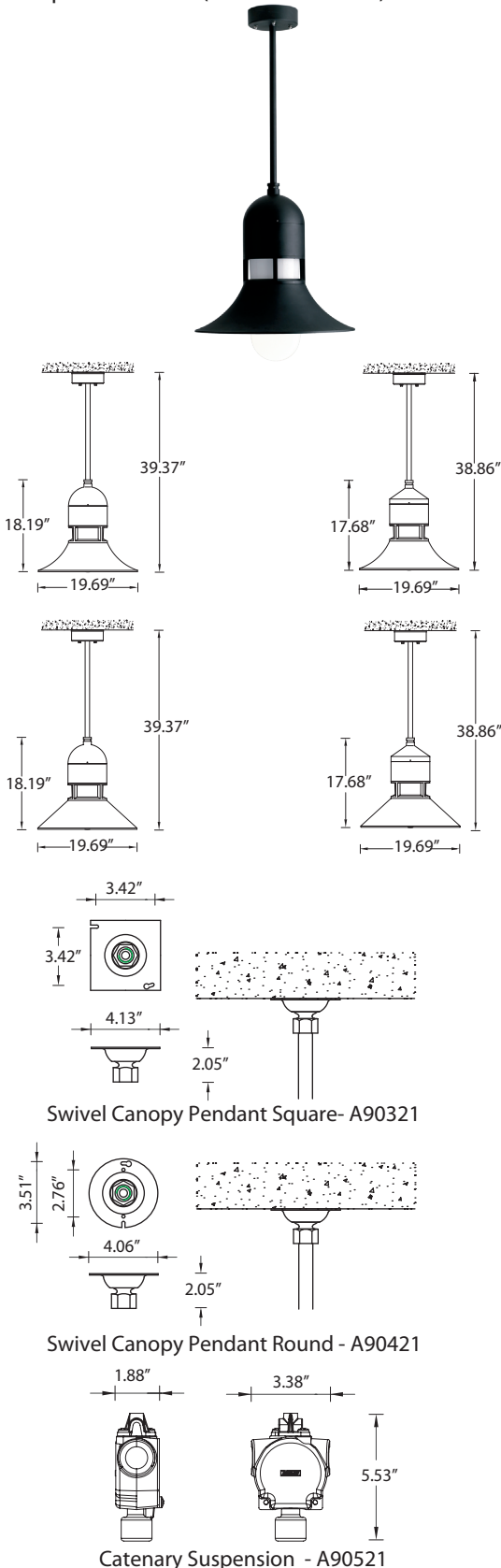
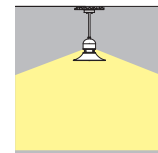
(1) Dome (2) Cone Top

Cage - A90621

Swivel Canopy Pendant Square - A90321

Swivel Canopy Pendant Round - A90421

Catenary Suspension - A90521



Ordering Example : UCO - 95022 - CFQ- 26w - 120v - Options

PROJECT: _____ DATE: _____

TYPE: _____ QUANTITY: _____ NOTE: _____

Ligman Lighting USA reserves the right to change specifications without prior notice, please contact factory for latest information. Due to the continual improvements in LED technology data and components may change without notice.