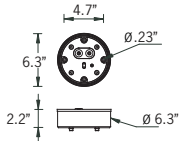
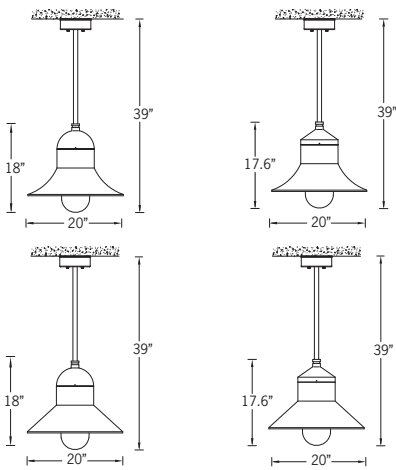


# UAA-95016

## Atlantic 13 Pendant



41w COB 2632 Lumens  
 IP55 • Suitable For Wet Locations  
 IK04 • Impact Resistant (Vandal Resistant)  
 Weight 20.3 lbs



### Mounting Detail

### Construction

#### Aluminum

Less than 0.1% copper content - Marine Grade 6060 extruded & LM6 Aluminum High Pressure die casting provides excellent mechanical strength, clean detailed product lines and excellent heat dissipation.

#### Pre paint

8 step degrease and phosphate process that includes deoxidizing and etching as well as a zinc and nickel phosphate process before product painting.

#### Memory Retentive -Silicon Gasket

Provided with special injection molded "fit for purpose" long life high temperature memory retentive silicon gaskets. Maintains the gaskets exact profile and seal over years of use and compression.

#### Thermal management

LM6 Aluminum is used for its excellent mechanical strength and thermal dissipation properties in low and high ambient temperatures. The superior thermal heat sink design by Ligman used in conjunction with the driver, controls thermals below critical temperature range to ensure maximum luminous flux output, as well as providing long LED service life and ensuring less than 10% lumen depreciation at 50,000 hours.

#### Surge Suppression

Standard 10kv surge suppressor provided with all fixtures.

#### BUG Rating

B1 - U3 - G1

#### Finishing

All Ligman products go through an extensive finishing process that includes fettling to improve paint adherence.

#### Paint

UV Stabilized 4.9Mil thick powder coat paint and baked at 200 Deg C. This process ensures that Ligman products can withstand harsh environments. Rated for use in natatoriums.

#### Hardware

Provided Hardware is Marine grade 316 Stainless steel.

#### Anti Seize Screw Holes

Tapped holes are infused with a special anti seize compound designed to prevent seizure of threaded connections, due to electrolysis from heat, corrosive atmospheres and moisture.

#### Opal Borosilicate Glass Lens

Provided with opal borosilicate impact resistant glass.

#### Optics & LED

Precise optic design provides exceptional light control and precise distribution of light. LED CRI > 80

#### Lumen - Maintenance Life

L80 /B10 at 50,000 hours (This means that at least 90% of the LED still achieve 80% of their original flux)

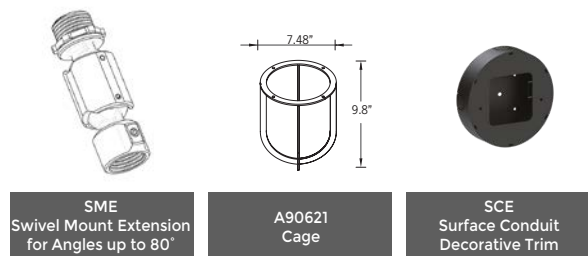
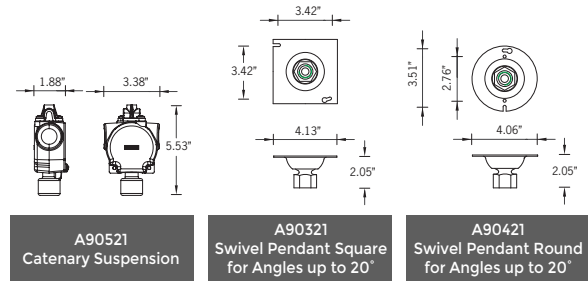
### Classic urban neighbourhood pendant luminaire family. Timeless lines coupled with unparalleled build quality, flexibility and performance.

A decorative range of pendants designed to complement the Atlantic wall light, bollard, pillar light, pole top and shepherds crook with options of straight or swept shades with a dome or cone top. This decorative lantern provides a symmetrical light distribution using high output COB LED. Designed for lighting entrances, retail outlets, malls and showrooms.

This product is available with a swivel mount attachment up to 90° pivot angle for seismic requirements, as well as sloped ceiling applications, please specify in options. The ceiling mount driver enclosure housing covers a 3" octagonal recessed j-box. Contractor to use proper securing devices for the ceiling material on the job to ensure a sturdy and safe installation. This product is provided with an integral driver and a borosilicate glass lens. The pendant is provided with a 1/2" painted galvanized steel pendant rod with various ceiling mount attachments to suit customer requirements, please see options.

For custom pendant lengths, please specify in options below. The standard wattage for this luminaire is 41w, for higher or lower wattages, please contact the factory.

### Additional Options (Consult Factory For Pricing)



# UAA-95016

Atlantic 13 Pendant

<b>PROJECT</b>		<b>DATE</b>	
----------------	--	-------------	--

<b>QUANTITY</b>		<b>TYPE</b>		<b>NOTE</b>	
-----------------	--	-------------	--	-------------	--

ORDERING EXAMPLE || UAA - 95016 - 41w - 1 - 2 - W30 - 02 - 120/277v - Options

<b>UAA-95016</b>						
<b>LAMP</b>	<b>SHADE</b>	<b>TOP</b>	<b>LED COLOR</b>	<b>FINISH COLOR</b>	<b>VOLTAGE</b>	
41w COB 2632 Lumens	1 - Swept  2 - Straight	1 - Dome Top  2 - Cone Top	W27 - 2700K W30 - 3000K W35 - 3500K W40 - 4000K	01 - BLACK RAL 9011 02 - DARK GREY RAL 7043 03 - WHITE RAL 9003 04 - METALLIC SILVER RAL 9006 05 - MATTE SILVER RAL 9006 06 - LIGMAN BRONZE 07 - CUSTOM RAL	120/277v Other - Specify	

--	--	--	--

## ADDITIONAL OPTIONS

- |                               |                                       |
|-------------------------------|---------------------------------------|
| DIM - 0-10v Dimming           | A90521 - Catenary Suspension          |
| NAT - Natatorium Rated        | A90621 - Cage                         |
| A90321 - Swivel Canopy Square | SME - Swivel Mount Extension          |
| A90421 - Swivel Canopy Round  | SCE - Surface Conduit Decorative Trim |

# Atlantic Product Family



Atlantic 1

- UAA-10077-41/29w-1454/1028lm [Ø6.3"- 30.3"/29.6"]
- UAA-10087-41w-1454/1028lm [Ø6.3"- 19.6"/18.8"]
- UAA-70077-41w-1454/1028lm [Ø6.3"- 42.4"/41.6"]



Atlantic 2

- UAA-10097-41/29w-1602/1133lm [Ø7.3"- 32.6"/31.3"]
- UAA-10107-41/29w-1602/1133lm [Ø7.3"- 44.6"/43.3"]
- UAA-70087-41w-1602lm [Ø7.3"- 21.9"/20.6"]



Atlantic 3

- UAA-20046-29w-1105lm



Atlantic 4

- UAA-20076-41w-2632lm



Atlantic 5

- UAA-20166-41w-2632lm



Atlantic 7

- UAA-30146-29w-1105lm



Atlantic 8

- UAA-30156-41w-2632lm



Atlantic 9

- UAA-30186-41w-2632lm



Atlantic 13

- UAA-95016-41w-2632lm