

# UHAM-20031

## Hamilton 4 Post Top



**2x53w LED**  
**2x6242 Lumens**

**IP66**  
 Suitable for wet locations

**IK07**  
 Impact Resistant [Vandal Resistant]

**EPA - 3.91**

**Weight - 31 lbs**

**POLE NOT INCLUDED**



### Construction

**Aluminum.**  
 Less than 0.1% copper content - Marine Grade 6060 extruded & LM6 Aluminum High Pressure die casting provides excellent mechanical strength , clean detailed product lines and excellent heat dissipation.

**Pre paint**  
 8 step degrease and phosphate process that includes deoxidizing and etching as well as a zinc and nickel phosphate process before product painting.

**Memory Retentive -Silicon Gasket**  
 Provided with special injection molded "fit for purpose" long life high temperature memory retentive silicon gaskets. Maintains the gaskets exact profile and seal over years of use and compression.

**Thermal management**  
 LM6 Aluminum is used for its excellent mechanical strength and thermal dissipation properties in low and high ambient temperatures. The superior thermal heat sink design by Ligman used in conjunction with the driver, controls thermals below critical temperature range to ensure maximum luminous flux output, as well as providing long LED service life and ensuring less than 10% lumen depreciation at 50,000 hours.

**Surge Suppression**  
 Standard, in series wired 10kv surge suppressor provided with all fixtures.

**BUG Rating**  
 B2 - U0 - G0

**Finishing.**  
 All Ligman products go through an extensive finishing process that includes fettling to improve paint adherence.

**Paint**  
 UV Stabilized 4.9Mil thick powder coat paint and baked at 200 Deg C. This process ensures that Ligman products can withstand harsh environments. Rated for use in natatoriums.

**Inspired by Nature Finishes**  
 The Inspired by nature Finishing is a unique system of decorative powder coating. Our metal decoration process can easily transform the appearance of metal or aluminum product into a wood grain finish.

This patented technology enables the simulation of wood grain, and even marble or granite finish through the use of decorative powder coating.

The wood grain finish is so realistic that it's almost undistinguishable from real wood, even from a close visual inspection. The system of coating permeates the entire thickness of the coat and as a result, the coating cannot be removed by normal rubbing, chipping, or scratching.

### The Coating Process

After pre-treatment the prepared parts are powder coated with a specially formulated polyurethane powder. This powder provides protection against wear, abrasion, impact and corrosion and acts as the relief base color for the finalized metal decoration.

The component is then wrapped with a sheet of non-porous film with the selected decoration pattern printed on it using special high temperature inks.

This printed film transfer is vacuum-sealed to the surface for a complete thermo print and then transferred into a customized oven. The oven transforms the ink into different forms within the paint layer before it becomes solid. Finally, the film is removed, and a vivid timber look on aluminum remains.

Wood grain coating can create beautiful wood-looking products of any sort. There are over 300 combinations of designs currently in use. Wood grains can be made with different colors, designs, etc.

Our powder coatings are certified for indoor and outdoor applications and are backed by a comprehensive warranty. These coatings rise to the highest conceivable standard of performance excellence and design innovation.

- Added Benefits**
- Resistance to salt-acid room, accelerated aging
  - Boiling water, lime and condensed water resistant
  - Anti-Graffiti, Anti-Slip, Anti-Microbial, Anti-Scratch
  - Super durable (UV restant)
  - TGIC free (non-toxic)

**Hardware**  
 Provided Hardware is Marine grade 316 Stainless steel.

**Anti Seize Screw Holes**  
 Tapped holes are infused with a special anti seize compound designed to prevent seizure of threaded connections, due to electrolysis from heat, corrosive atmospheres and moisture.

**Crystal Clear Low Iron Glass Lens**  
 Provided with tempered, impact resistant crystal clear low iron glass ensuring no green glass tinge. Lightly frosted lens optional

**Optics & LED**  
 Precise optic design provides exceptional light control and precise distribution of light.  
 LED CRI > 80

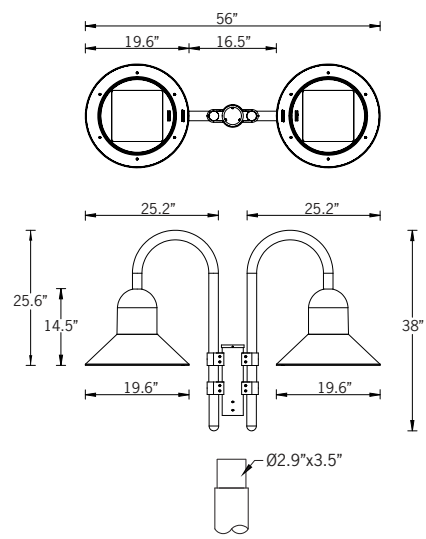
### Classic urban neighbourhood post-top luminaire family. Timeless lines coupled with unparalleled build quality, flexibility and performance.

A post top luminaire available with single or twin heads, in a straight arm or shepherds crook style. Designed for lighting car parks, footpaths, pedestrian areas, precincts, parks, gardens and building perimeters.

Color temperature 2700K, 3000K, 3500K and 4000K, LED CRI >80.

This luminaire is provided prewired with power cord to the handhole to simplify installation. Marine grade 316 stainless steel fasteners. Durable memory retentive silicone rubber gasket and lens.

To meet International Dark Sky criteria, 3000k or warmer LEDs must be selected.



Tenon Detail

### Additional Options (Consult Factory For Pricing)

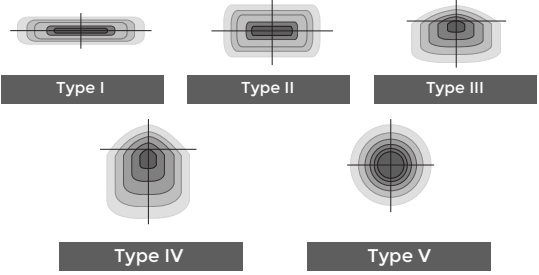


LIGHCONNECT IoT Ready Hamilton

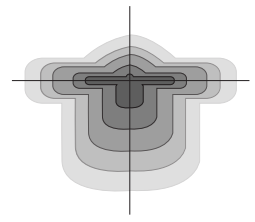
This luminaire is available with NEMA 7 or Zhaga Book 18 sockets for connection to intelligent lighting control systems.



Ligman's micro Variable Optical System provides the ability to interchange, mix & rotate optics to provide specific light distributions for optimized spacing and uniformity.



The variable optic system allows for the designer to create hybrid distributions for precise lighting requirements.





HYBRID TYPE I & TYPE IV

|                |                      |             |                      |
|----------------|----------------------|-------------|----------------------|
| <b>PROJECT</b> | <input type="text"/> | <b>DATE</b> | <input type="text"/> |
|----------------|----------------------|-------------|----------------------|

|                 |                      |             |                      |             |                      |
|-----------------|----------------------|-------------|----------------------|-------------|----------------------|
| <b>QUANTITY</b> | <input type="text"/> | <b>TYPE</b> | <input type="text"/> | <b>NOTE</b> | <input type="text"/> |
|-----------------|----------------------|-------------|----------------------|-------------|----------------------|

ORDERING EXAMPLE || UHAM - 20031 - 2x53w - T2- W30 - 02 - 120/277v - Options

|                   |                            |  |  |   |                             |
|-------------------|----------------------------|--|--|---|-----------------------------|
| <b>UHAM-20031</b> | <input type="text"/>       | <input type="text"/>   | <input type="text"/>   | <input type="text"/>  | <input type="text"/>        |
|                   | <b>LAMP</b>                | <b>BEAM</b>  | <b>LED COLOR</b>   | <b>FINISH COLOR</b>   | <b>VOLTAGE</b>              |
|                   | 2x53w LED<br>2x6242 Lumens | T1 - Type I Distribution<br>T2 - Type II Distribution<br>T3 - Type III Distribution<br>T4- Type IV Distribution<br>ME - Type ME Distribution<br>M - Medium 30°<br>W - Wide 57°<br>EW - Extra Wide 110° | W27 - 2700K <br>W30 - 3000K <br>W35 - 3500K<br>W40 - 4000K | 01 - BLACK RAL 9011<br>02 - DARK GREY RAL 7043<br>03 - WHITE RAL 9003<br>04 - METALLIC SILVER RAL 9006<br>05 - MATTE SILVER RAL 9006<br>06 - LIGMAN BRONZE<br>07 - CUSTOM RAL | 120/277v<br>Other - Specify |

|                      |                      |                      |
|----------------------|----------------------|----------------------|
| <input type="text"/> | <input type="text"/> | <input type="text"/> |
|----------------------|----------------------|----------------------|

**ADDITIONAL OPTIONS**

- DIM - 0-10v Dimming
- NAT - Natatorium Rated
- A90991 - Zhaga Book 18
- A90891 - NEMA 7
- F - Frosted Lens

**INSPIRED BY NATURE FINISHES**

- SW01 - OAK FINISH 
- SW02 - WALNUT FINISH 
- SW03- PINE FINISH 
- DF - DOUGLAS FIR FINISH 
- CW - CHERRY WOOD FINISH 
- NW - NATIONAL WALNUT FINISH 
- SU01 - CONCRETE FINISH 
- SU02 - SOFTSCAPE FINISH 
- SU03 - STONE FINISH 
- SU04 - CORTEN FINISH 

THERE IS AN ADDITIONAL COST FOR THESE FINISHES

**More Custom Finishes Available Upon Request**

Consult factory for pricing and lead times

|  |   |   |   |
|--|---|---|---|
| <br>Oak    | <br>Cherry   | <br>Beech  | <br>Carbon     |
| <br>Walnut | <br>Chestnut | <br>Bamboo | <br>Galvanized |
| <br>Pine   | <br>Mahogany | <br>Birch  | <br>Steel      |



# Hamilton Product Family



Hamilton 1

- UHAM-20001-53w-7027lm
- UHAM-20002-75w-9862lm



Hamilton 2

- UHAM-20011-2x53w-2x7027lm
- UHAM-20012-2x75w-2x9862lm



Hamilton 3

- UHAM-20021-53w-7027lm
- UHAM-20022-75w-9862lm



Hamilton 4

- UHAM-20031-2x53w-2x7027lm
- UHAM-20032-2x75w-2x9862lm



Hamilton 5

- UHAM-30001-53w-7027lm
- UHAM-30002-75w-9862lm



Hamilton 6

- UHAM-30011-53w-7027lm
- UHAM-30012-75w-9862lm