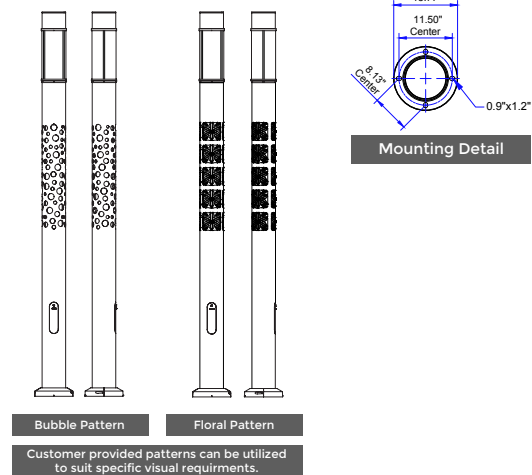
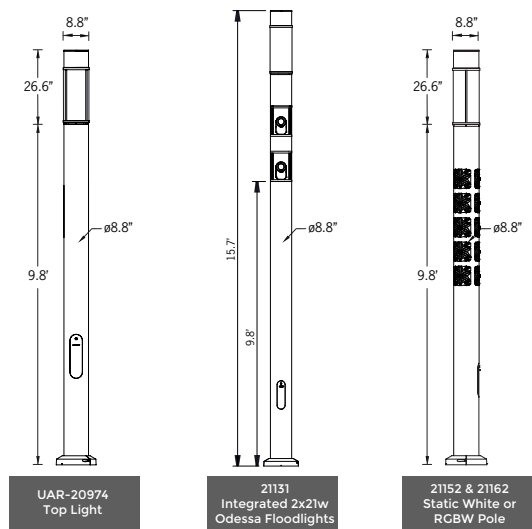


UAR-20974

Arizona 2 Light Column



UAR-20974 • 77lbs 37w LED-3697lm	21131 • 106lbs 37/2x21w LED-3697lm
21152 • 85lbs 37/3x15w LED-3519lm	21162 • 85lbs 37/3x15w LED-3519lm
IP65 • Suitable For Wet Locations	
IK08 • Impact Resistant (Vandal Resistant)	



Construction

Aluminum
Less than 0.1% copper content – Marine Grade 6060 extruded & LM6 Aluminum High Pressure die casting provides excellent mechanical strength, clean detailed product lines and excellent heat dissipation.

Pre paint
8 step decrease and phosphate process that includes deoxidizing and etching as well as a zinc and nickel phosphate process before product painting.

Memory Retentive -Silicon Gasket
Provided with special injection molded "fit for purpose" long life high temperature memory retentive silicon gaskets. Maintains the gaskets exact profile and seal over years of use and compression.

Thermal management
LM6 Aluminum is used for its excellent mechanical strength and thermal dissipation properties in low and high ambient temperatures. The superior thermal heat sink design by Ligman used in conjunction with the driver, controls thermals below critical temperature range to ensure maximum luminous flux output, as well as providing long LED service life and ensuring less than 10% lumen depreciation at 50,000 hours.

Surge Suppression
Standard 10kv surge suppressor provided with all fixtures.

BUG Rating
B1 - U3 - G1

Finishing
All Ligman products go through an extensive finishing process that includes fettling to improve paint adherence.

Paint
UV Stabilized 4.9Mil thick powder coat paint and baked at 200 Deg C. This process ensures that Ligman products can withstand harsh environments. Rated for use in natatoriums.

Inspired by Nature Finishes
The Inspired by nature Finishing is a unique system of decorative powder coating. Our metal decoration process can easily transform the appearance of metal or aluminum product into a wood grain finish.

This patented technology enables the simulation of wood grain, and even marble or granite finish through the use of decorative powder coating.

The wood grain finish is so realistic that it's almost undistinguishable from real wood, even from a close visual inspection. The system of coating permeates the entire thickness of the coat and as a result, the coating cannot be removed by normal rubbing, chipping, or scratching.

The Coating Process
After pre-treatment the prepared parts are powder coated with a specially formulated polyurethane powder. This powder provides protection against wear, abrasion, impact and corrosion and acts as the relief base color for the finalized metal decoration.

The component is then wrapped with a sheet of non-porous film with the selected decoration pattern printed on it using special high temperature inks.

This printed film transfer is vacuum-sealed to the surface for a complete thermo print and then transferred into a customized oven. The oven transforms the ink into different forms within the paint layer before it becomes solid. Finally, the film is removed, and a vivid timber look on aluminum remains.

Wood grain coating can create beautiful wood-looking products of any sort. There are over 300 combinations of designs currently in use. Wood grains can be made with different colors, designs, etc.

Our powder coatings are certified for indoor and outdoor applications and are backed by a comprehensive warranty. These coatings rise to the highest conceivable standard of performance excellence and design innovation.

- Added Benefits**
- Resistance to salt-acid room, accelerated aging
 - Boiling water, lime and condensed water resistant
 - Anti-Graffiti, Anti-Slip, Anti-Microbial, Anti-Scratch
 - Super durable (UV resistant)
 - TGIC free (non-toxic)

Hardware
Provided Hardware is Marine grade 316 Stainless steel.

Anti Seize Screw Holes
Tapped holes are infused with a special anti seize compound designed to prevent seizure of threaded connections, due to electrolysis from heat, corrosive atmospheres and moisture.

High Impact Acrylic Lens
Manufactured with Ultra High Impact, Naturally UV Stabilized Injection Molded Acrylic.

Optics & LED
Precise optic design provides exceptional light control and precise distribution of light.
LED CRI > 80

Lumen - Maintenance Life
L80 /B10 at 50,000 hours (This means that at least 90% of the LED still achieve 80% of their original flux)

Streamlined lighting column. Clean-lined, smooth round decorative ambient lighting column with opal lateral diffuser.

Complementing the Arizona family of outdoor floodlight columns and wall mounted sconces, is the Arizona 1. The Arizona 1 is a 6" diameter column and incorporates precision optics that provides a type V distribution housed within a ultra high impact clear acrylic lens. This modern aesthetic design can be specified with different wattages if necessary to provide the perfect lighting solution and can be used to light areas, such as campuses, parks, recreational areas and public spaces.

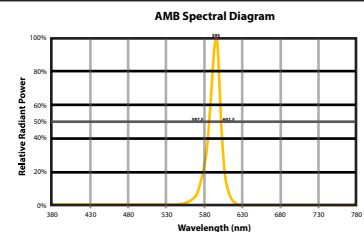
This luminaire is provided with an integral driver housed within a waterproof electrical compartment secured inside the pole. The luminaire is pre-wired with power cord to the handhole to simplify installation. The Arizona is available with two different LED packages, namely COB (See UAR-20973) which is available with a very wide type V distribution and the HP LED version (see UAR-20974) for Type II, III & IV light distributions. Color temperature 2700K, 3000K, 3500K and 4000K, LED CRI >80 and life time 50,000 Hours.

Reduced wattages can be provided to provide Title 24 compliance.
For non standard fixture variations, as well as specific perforated reflector requirements and decorative house side shields, please contact the factory. This product is provided complete with anchor bolts and laser cut steel bolt template. For alternate root mount installation, please specify.

Additional Options (Consult Factory For Pricing)



CITY OF FLAGSTAFF & TURTLE FRIENDLY COMPLIANT



Narrow-Spectrum Amber LEDs
Peak wavelength between 585 & 595 nanometers and a full width of 50% power no greater than 15 nanometers.

UAR-20974

Arizona 2 Light Column

PROJECT	<input type="text"/>	DATE	<input type="text"/>
QUANTITY	<input type="text"/>	TYPE	<input type="text"/>
		NOTE	<input type="text"/>

ORDERING EXAMPLE || UAR - 20974 - T2 - W30 - 02 - 120/277v

UAR-20974	<input type="text"/>	<input type="text"/>	<input type="text"/>	<input type="text"/>	<input type="text"/>
	TYPE/LAMP	BEAM	LED COLOR	FINISH COLOR	VOLTAGE
<p>21131 21151 21161</p> <p>CHOOSE TYPE/LAMP IF NOT ORDERING 20974</p> <p>21131 - Internal Floodlights - 39/2x21w</p> <p>21152 - Static White Decorative Pole - 39/3x15w</p> <p>21162 - RGBW Decorative Pole - 39/3x15w</p>	<p>T1 - Type I Distribution</p> <p>T2 - Type II Distribution</p> <p>T3 - Type III Distribution</p> <p>T4- Type IV Distribution</p> <p>T5- Type V Distribution</p> <p>Choose Floodlight Beams for 21131 Arizona also</p> <p>FLOOD BEAM</p> <p>M - Medium 23"</p> <p>W - Wide 32"</p> <p>VW - Very Wide 47"</p>	<p>W27 - 2700K</p> <p>W30 - 3000K</p> <p>W35 - 3500K</p> <p>W40 - 4000K</p> <p>Choose RGBW color for 21162 Arizona also</p> <p>RGBW COLOR</p> <p>RGBW30 - Warm White 3200K</p> <p>RGBW40 - Neutral White 4000K</p> <p>RGBW65 - Cool White 6850K</p>	<p>01 - BLACK RAL 9011</p> <p>02 - DARK GREY RAL 7043</p> <p>03 - WHITE RAL 9003</p> <p>04 - METALLIC SILVER RAL 9006</p> <p>05 - MATTE SILVER RAL 9006</p> <p>06 - LIGMAN BRONZE</p> <p>07 - CUSTOM RAL</p> <p>INSPIRED BY NATURE FINISHES</p> <p>SW01 - OAK FINISH</p> <p>SW02 - WALNUT FINISH</p> <p>SW03- PINE FINISH</p> <p>DF - DOUGLAS FIR FINISH</p> <p>CW - CHERRY WOOD FINISH</p> <p>NW - NATIONAL WALNUT FINISH</p> <p>SU01 - CONCRETE FINISH</p> <p>SU02 - SOFTSCAPE FINISH</p> <p>SU03 - STONE FINISH</p> <p>SU04 - CORTEN FINISH</p> <p>THERE IS AN ADDITIONAL COST FOR THESE FINISHES</p>	<p>120/277v</p> <p>Other - Specify</p>	
ADDITIONAL OPTIONS					

- DIM - 0-10v Dimming
- NAT - Natatorium Rated
- GFCI - GFCI Box
- HSS - House Side Shield
- HGT - Custom Height (Specify)
- A90991-U - Zhaga Book 18 Mounted On Top of Fixture
- A90991-D - Zhaga Book 18 Mounted Below Fixture
- A90891 - NEMA 7
- A91591 - Round Power Plug
- A91291 - Speaker
- A91091 - WiFi
- A91691-L2 - Motion Sensor (Up to 10ft)
- A91691-L7 - Motion Sensor (Up to 40ft)
- A91191 - Camera
- A91491 - Electric Vehicle Charger
- A91991 - EO Hub
- A91391 - Intercom
- BPC - Button Photocell

Bubble Pattern

Floral Pattern

LIGHCONNECT IoT Ready Arizona

Customer provided patterns can be utilized to suit specific visual requirements.

This luminaire is available with NEMA 7 or Zhaga Book 18 sockets for connection to intelligent lighting control systems.

More Custom Finishes Available Upon Request

Consult factory for pricing and lead times



Arizona Product Family



Arizona 1

- UAR-21012-28w-1826lm



Arizona 2

- UAR-20973-39w-3657lm
- UAR-20974-37w-3697lm



Arizona 2

- UAR-20973-21131-39/2x21w
- UAR-20974-21131-37/2x21w



Arizona 2

- UAR-20973-21151-39/3x15w
- UAR-20974-21152-37/3x15w



Arizona 2

- UAR-20973-21161-39/3x15w
- UAR-20974-21162-37/3x15w



Arizona 3

- UAR-20991-50w-4396 lm



Arizona 3

- UAR-20992-85w-9243lm
- UAR-20993-115w-12795lm



Arizona 4

- UAR-21041-28w-1826lm



Arizona 5

- UAR-21051-39w-3657lm
- UAR-21052-37w-3519lm