

UOD-50182

Odessa 16 Large Threaded Knuckle Floodlight



Construction

Aluminum
Less than 0.1% copper content – Marine Grade 6060 extruded & LM6 Aluminum High Pressure die casting provides excellent mechanical strength, clean detailed product lines and excellent heat dissipation.

Pre paint
8 step deprime and phosphate process that includes deoxidizing and etching as well as a zinc and nickel phosphate process before product painting.

Memory Retentive -Silicon Gasket
Provided with special injection molded "fit for purpose" long life high temperature memory retentive silicon gaskets. Maintains the gaskets exact profile and seal over years of use and compression.

Thermal management
LM6 Aluminum is used for its excellent mechanical strength and thermal dissipation properties in low and high ambient temperatures. The superior thermal heat sink design by Ligman used in conjunction with the driver, controls thermals below critical temperature range to ensure maximum luminous flux output, as well as providing long LED service life and ensuring less than 10% lumen depreciation at 50,000 hours.

Surge Suppression
Standard 10kv surge suppressor provided with all fixtures.

BUG Rating
B4 - U0 - G1

Finishing
All Ligman products go through an extensive finishing process that includes fettling to improve paint adherence.

Paint
UV Stabilized 4.9Mil thick powder coat paint and baked at 200 Deg C. This process ensures that Ligman products can withstand harsh environments. Rated for use in natatoriums.

MicroPRIM Finishes

MicroPRIM is Ligman's trade marked decorative powder coating technology that permanently infuses colors, patterns, or imagery directly into the surface of luminaires and poles while providing protections that standard powder coating does not offer.

MicroPRIM finishes include nature-inspired wood grains and stone aesthetics, material-inspired finishes such as brushed metal, concrete, and carbon fiber, Solid colors in Ligman standard colors, as well as any RAL or Pantone color, Decorative patterns, custom imagery and more.

Coating and Infusion Process

Metal components are pre-treated and powder coated with a proprietary polyurethane-based coating engineered for outdoor architectural use. Decorative patterns or imagery are then permanently infused into the cured powder coat through a heat-based process, creating a durable, integrated finish.

Performance and Validation

MicroPRIM finishes are suitable for indoor and outdoor applications and meet AAMA2605 architectural coating requirements. Performance is validated through laboratory and real-world testing to ASTM standards for UV exposure, adhesion, abrasion, impact, salt spray, chemical resistance, and graffiti resistance.

All MicroPRIM finishes are backed by Ligman's 10-year warranty.

Key Performance Attributes

- Anti-graffiti resistance
- UV and weather resistance
- Scratch and abrasion resistance
- Natatorium Rated for installation in corrosive environments

Hardware
Provided Hardware is Marine grade 316 Stainless steel.

Anti Seize Screw Holes
Tapped holes are infused with a special anti seize compound designed to prevent seizure of threaded connections, due to electrolysis from heat, corrosive atmospheres and moisture.

High Impact Acrylic Lens
Manufactured with Ultra High Impact, Naturally UV Stabilized Injection Molded Acrylic.

Optics & LED
Precise optic design provides exceptional light control and precise distribution of light.
LED CRI > 80

Lumen - Maintenance Life
L80 /B10 at 50,000 hours (This means that at least 90% of the LED still achieve 80% of their original flux)

Stylish adjustable projector range. Naturally beautiful and unique contemporary family, Odessa packs a punch with an abundance of options and accessories.

The Odessa family of floodlights have a modern aesthetic design and are a perfect lighting solution for most small to medium size spotlight and floodlight requirements. The floodlights can be aimed and locked in place to highlight specific features or elements in the environment, as well as provide security when illuminating dark areas on campuses and parks.

This small and medium range of high performance LED floodlight luminaires provides a robust design for demanding applications such as recreational areas, public spaces and architectural structures.

The luminaire has integrated heat sinks to facilitate LED cooling, as well as an integral driver. The Odessa is available in Narrow, Medium, Wide and Very Wide light distributions. Color temperature 2700K, 3000K, 3500K and 4000K. Luminaire has optional accessories, such as a ground spike, visors, louvres, and linear spread lenses.

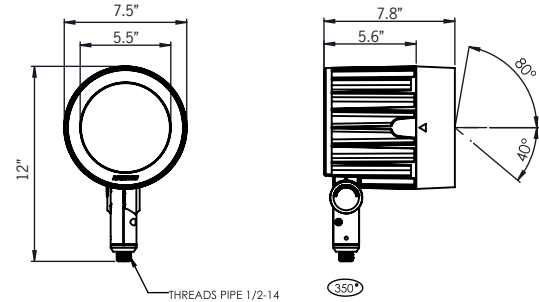
For non standard fixture variations, as well as specific reflector requirements and , please contact the factory. 3 mounting options are available, namely yoke mount, pedestal and 1/2" threaded knuckle system with a fully rotatable with locking screw option for after installation aiming.

DMX controllers are used to power and provide color changing scenes for all RGBW luminaires. The two options offered by Ligman are the Nicolaudie or Pharos control systems. For information on controllers, please contact Ligman Lighting USA.

RGBW

33w LED 1,422 Lumens

IP66 - Suitable For Wet Locations
IK08 - Impact Resistant (Vandal Resistant)
Weight 12.5 lbs



Additional Options (Consult Factory For Pricing)

			
A54431 Anti Glare Visor	A51814 Linear Spread	A54631 Anti Glare Louvre	A54121 Honeycomb Louvre
			
A64691 TPC Touch Screen and Controller DMX 2 [Pharos]	STICK-DE3 [Nicolaudie]	A64791 RDM DMX Splitter [Pharos]	A64491 TPC Touch Screen and Controller DMX [Pharos]
			
A65191 TPC Touch Panel Station [Pharos]	A64991 CLOUD Station [Pharos]		



PROJECT		DATE	
---------	--	------	--

QUANTITY		TYPE		NOTE	
----------	--	------	--	------	--

ORDERING EXAMPLE || UOD-50182 - 33w - M - RGBW30 - 03 - 120/277v

UOD-50182																			
LAMP	33w LED 1,422 Lumens	BEAM	N - Narrow 20° M - Medium 34° E - Elliptical 24° x 49°	RGBW COLOR	RGBW30 - Warm White 3200K RGBW40 - Neutral White 4000K RGBW65 - Cool White 6850K														
		FINISH COLOR	<table style="width: 100%; border-collapse: collapse;"> <tr> <td style="width: 20px; height: 10px; background-color: black;"></td> <td>01 - BLACK RAL 9011</td> </tr> <tr> <td style="width: 20px; height: 10px; background-color: #444;"></td> <td>02 - DARK GREY RAL 7043</td> </tr> <tr> <td style="width: 20px; height: 10px; background-color: white;"></td> <td>03 - WHITE RAL 9003</td> </tr> <tr> <td style="width: 20px; height: 10px; background-color: #ccc;"></td> <td>04 - METALLIC SILVER RAL 9006</td> </tr> <tr> <td style="width: 20px; height: 10px; background-color: #eee;"></td> <td>05 - MATTE SILVER RAL 9006</td> </tr> <tr> <td style="width: 20px; height: 10px; background-color: #808080;"></td> <td>06 - LIGMAN BRONZE</td> </tr> <tr> <td style="width: 20px; height: 10px; background-color: #0000ff;"></td> <td>07 - CUSTOM RAL</td> </tr> </table>				01 - BLACK RAL 9011		02 - DARK GREY RAL 7043		03 - WHITE RAL 9003		04 - METALLIC SILVER RAL 9006		05 - MATTE SILVER RAL 9006		06 - LIGMAN BRONZE		07 - CUSTOM RAL
	01 - BLACK RAL 9011																		
	02 - DARK GREY RAL 7043																		
	03 - WHITE RAL 9003																		
	04 - METALLIC SILVER RAL 9006																		
	05 - MATTE SILVER RAL 9006																		
	06 - LIGMAN BRONZE																		
	07 - CUSTOM RAL																		
		VOLTAGE	120/277v																

ADDITIONAL OPTIONS *See Page 3 for RGBW Information, For Additional DMX Controls See Pages 3-5*

- | | | |
|------------------------------------------------------------------------|---------------------------------|-------------------|
| NAT - Natatorium Rated | A64791 - RDM DMX Splitter | POLE CLAMP |
| A54431 - Anti Glare Visor | A65191 - TPC Touch Panel | PC4 - 4" Clamp |
| A51814 - Linear Spread Lens | A65391 - EDN Ethernet Data Node | PC45 - 4.5" Clamp |
| A54631 - Anti Glare Louvre | A66991 - LPCX Lighting Playback | PC5 - 5" Clamp |
| A54121 - Honeycomb Louvre | A64991 - CLOUD | PC55 - 5.5" Clamp |
| A64791 - RDM DMX Splitter | | |
| STICK-DE3 - Nicolaudie DMX Controller | | |
| CUST - Custom Fixture Address <i>[See Page 3 for More information]</i> | | |

More Custom Finishes Available Upon Request

Consult factory for pricing and lead times

MicroPRIM FINISHES

- | | |
|--|-----------------------------|
| | SW01 - OAK FINISH |
| | SW02 - WALNUT FINISH |
| | SW03- PINE FINISH |
| | DF - DOUGLAS FIR FINISH |
| | CW - CHERRY WOOD FINISH |
| | NW - NATIONAL WALNUT FINISH |
| | SU01 - CONCRETE FINISH |
| | SU02 - SOFTSCAPE FINISH |
| | SU03 - STONE FINISH |
| | SU04 - CORTEN FINISH |
| | CSM - Custom Image/Pattern |

MicroPRIM FINISHES

- | | | | |
|--|------------------------------|--|---------------------------------------------------------|
| | MP - MAPLE FINISH | | MP01 - MicroPRIM RAL 9011 Black (Glossy) |
| | MHG - MAHOGANY FINISH | | MP02 - MicroPRIM RAL 7043 Dark Grey (Glossy) |
| | BH - BEECH FINISH | | MP03 - MicroPRIM RAL 9003 White (Glossy) |
| | CN - CHESTNUT FINISH | | MP04 - MicroPRIM RAL 9006 Metallic Silver (Glossy) |
| | WMBL - WHITE MARBLE FINISH | | MP05 - MicroPRIM RAL 9006 Matte Silver (Matte/Textured) |
| | MBL - MARBLE FINISH | | MP06 - MicroPRIM Ligman Bronze (Glossy) |
| | GRNT - GRANITE FINISH | | MP07 - MicroPRIM Custom Color (Glossy) |
| | BGD - BRUSHED GOLD FINISH | | |
| | BBRZ - BRUSHED BRONZE FINISH | | |
| | CAMO - CAMOUFLAGE FINISH | | |



MicroPRIM Finish

RGBW DMX/RDM Control

RGBW control requires precise communication between lighting fixtures and IP-based systems. To manage Red, Green, Blue, and White diodes effectively, each fixture must be pre-addressed to ensure accurate individual or grouped control.

Ligman's Engineered Approach

Ligman offers a structured, performance driven methodology for RGBW system design and deployment.

Fixture Addressing

- Default: Fixtures are factory programmed with the same DMX start address unless otherwise specified.
- Issue: Identical addresses cause all fixtures to respond as one—changing colors simultaneously.
- Solution: Assign unique DMX addresses to each fixture during programming or via RDM tools to enable independent or grouped control.

Termination Resistors

To prevent signal interference (crosstalk) between fixtures:

- Ligman supplies 120 ohm termination resistors.
- Install the resistor inside the last fixture or at the last fixture's J Box. *Most fixtures include a factory installed resistor; some fixture types require on site installation depending on model.*
- Install the resistor between the DMX+ and DMX- signal lines.

System Design Guidelines

Fixture Count

- On 3 or More Fixtures: A termination resistor must be installed at the end of the run.
- On 5 or More Fixtures: Ligman may request additional layout details to verify system integrity.
- Fixtures with Dual DMX Addresses: These require more DMX channels, reducing the allowable number of fixtures per DMX run. (Refer to technical drawings for specifics.)

Maximum Distance

- Maximum Distance Without Booster: 984 ft (300 m) from the controller to the last fixture.
- Beyond This Limit: DMX/RDM splitters or boosters are required.

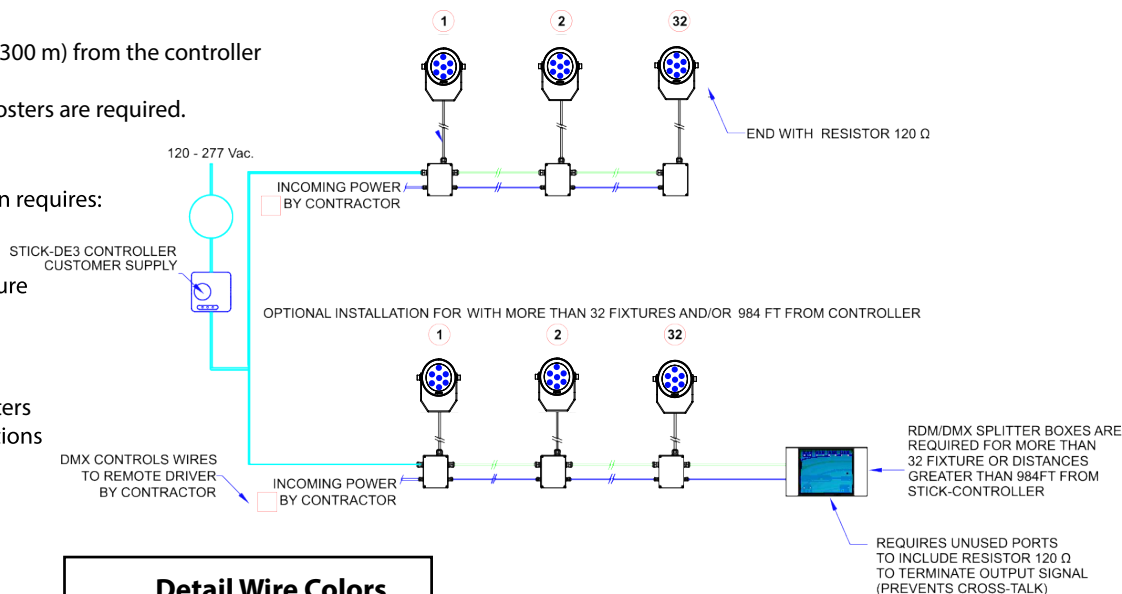
Custom Layouts

For non standard RGBW configurations, Ligman requires:

- Fixture quantity per run
- Distance between fixtures
- Total cable length from controller to last fixture

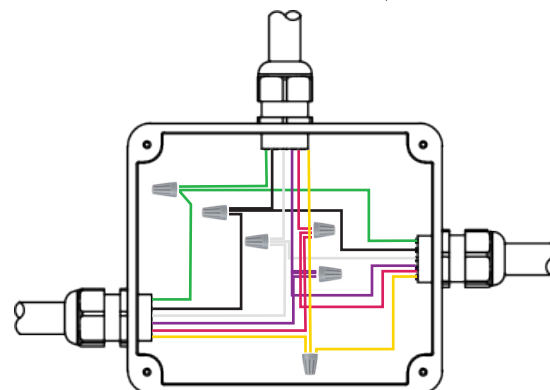
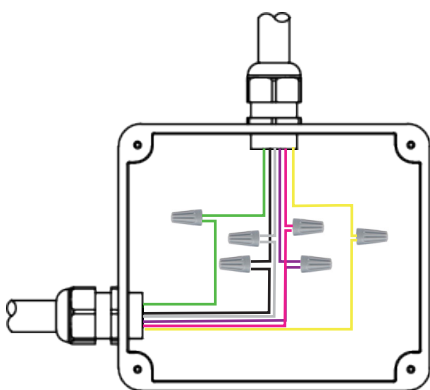
This ensures:

- Reliable DMX signal transmission
- Proper use of termination resistors and splitters
- Compliance with fixture and distance limitations



Detail Wire Colors For 5-Wire Cable

- Green----- Ground
- Black -----120-277v HOT
- White-----Neutral
- Purple-----DMX +
- Pink -----DMX -
- Yellow-----DMX Drain Wire





TPC Touchscreen & EXT Controller DMX & DALI 1 Universe

The TPC (Touch Panel Controller) is an elegant touch screen lighting controller with a customisable, 4.3" capacitive touch panel, 512 channels of eDMX output and vast interfacing potential, all over a single Power-over-Ethernet (PoE) network connection.

The EXT is an extension for the Pharos TPC and together they form a standalone, mainspowered lighting controller with versatile output and show control options. The EXT provides local DMX and DALI output for the TPC, as well as power and other hardware interfaces.



A64491



A64691

TPC Touchscreen & LPC Controller DMX 2 Universe

The LPC (Lighting Playback Controller) is an all-in-one control solution for themed entertainment and LED lighting installations. It features individually controllable and independently running timelines and scenes. Supported fixtures include LEDs in any configuration (RGB, RGBW, tunable white), moving heads, yokes or scanners and fountain jets. Output includes DMX512, Art-Net, DALI & RDM.

POE Connect

The POE (Power-over-Ethernet Switch) provides a simple power and networking solution for four Power-over-Ethernet devices with two separate Ethernet uplink ports. It is perfect for connecting power and data between Pharos Controllers and Pharos Remote Devices.



A64591



A64791

RDM DMX Splitters

The RDM (Remote Device Management) is a 4 port DMX512 Splitter compatible with the RDM standard to provide DMX output to luminaires and other devices. DMX splitters are an essential requirement for most control systems, allowing multiple separate cable runs from a single DMX output and ensuring electrical isolation.

STICK-DE3

The feature rich lighting controller has been designed to provide a control solution for the most demanding of projects, whilst maintaining an easy to use panel of touch sensitive buttons. The controller integrates a graphical color screen allowing scene photos to be displayed. Easily view the selected zone, scene name and design without the need to navigate through complex menus.

Change the speed, color and dimmer using the circular palette. The lighting levels, color and effects can be programmed from a PC, Mac, Android, iPad or iPhone using the included software



A68391



A64991

CLOUD

The CLOUD makes it easy to achieve remote control and management which is truly remote and totally secure.

Once connected, users can adjust hardware settings remotely, schedule tasks, control multiple projects, view system status, set remote user permissions, and more; through a standard internet connection without any additional hardware.

LPCX Lighting Playback Controller X

The Pharos LPC X (Lighting Playback Controller X) offers an extreme level of power and integration, making it an ideal solution for landmark lighting installations with significant channel counts. It integrates with the full range of Pharos products and offers an optional real-time video input



A66991



A65391

EDN Ethernet Data Node

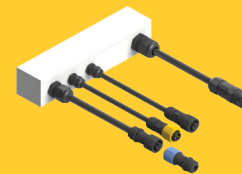
The Pharos EDN (Ethernet Data Node) is a convenient and scalable solution, providing cost-effective Ethernet-distributed DMX ports for large control projects. The EDN is an easily configurable networking node that is specifically designed to add physical DMX ports to Pharos Controllers and integrates natively with the full Pharos range.

Extremely compact, it packs up to 20 DMX512 output ports into a 1U 19" form factor. For higher port count installations, nodes can be daisy-chained to provide as many physical DMX ports as you need.

EDNs are discoverable through Pharos Designer software and associated to a Controller to be seamlessly configured as part of your patch. Ports can be flexibly assigned to any controller in your project providing an elegant data distribution solution over an Ethernet network with minimal setup required.

DMX/RDM Decoder - 24 VDC - Remote IP65 Box

- Control mode: RGBW / RGB / Custom / Dimming
- Compatible with DMX protocol (ANSI E1.11) and RDM function (ANSI E1.20)
- Output power: 33 W x 4 Channels (132 W max)
- Input voltage: 12-36 VDC
- Output voltage: 7.5-33 VDC



A67091



SLESA-U9

The Nicolaudie SLESA-U9 is a standalone USB based DMX256 lighting controller with 20 scenes and 1 zone. This simple and reliable control allows dynamic lighting scenes to be programmed quickly and easily through the ESA2 software for uninterrupted independent operation.



A60491



SLESA-U11

The Nicolaudie SLESA-U11 is a standalone engine (NSA) offering incredible power based DMX2048+ lighting controller with 99 scenes 5 zones, extended triggers and 16-bit channels management. Intuitive backlit keyboard with 10 presets and zone selection. Lighting scenes can be programmed quickly and easily through ESAPRO2 software via USB or Ethernet connection and mobile applications.

A66891

DMX Splitter & Amplifier in IP Box

Digital signal distributor is used with DMX512 digital lighting control signal for amplification and 2 channel distribution output. Each input/output interface adopts high voltage isolation technology, applied to DMX512 signal via remote transmission attenuation after the plastic amplification processing. Complete electrical isolation is used between the input interface and the distribution between output interface.



A63991



DINA-DR MICRO DMX Lighting Controller & Power Adapter

The DINA-DR MICRO is the perfect standalone lighting controller for simple DMX installations. It offers an affordable and programmable solution to replace automatic controllers.

Delivered with a DIN rail adapter, the DINA-DR MICRO can be mounted in an electrical cabinet and affords significant ease of installation.

Create your static or dynamic lighting scenes with ESA Pro 2 software and upload them to the DINA-DR MICRO through its USB connection. Specifications: 10 scenes, 1 zone, 60 channels.

A67291

TPS Touch Panel Station

The Pharos TPS (Touch Panel Station) is an elegant interface with a customizable, 4.3" capacitive touch screen, that works with any Pharos Controller



A65191