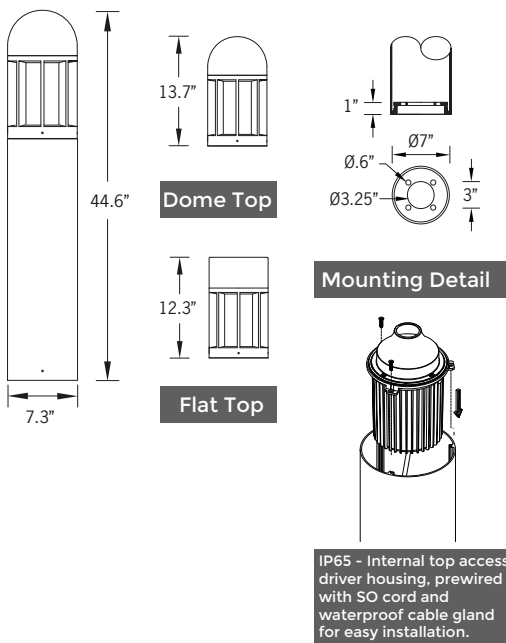


# UAA-10106

## Atlantic 2 Bollard



41w COB - 1602 Lumens | 29w COB 1133 Lumens  
 IP65 • Suitable For Wet Locations  
 IK08 • Impact Resistant (Vandal Resistant)  
 Weight 21 lbs



### Construction

#### Aluminum

Less than 0.1% copper content – Marine Grade 6060 extruded & LM6 Aluminum High Pressure die casting provides excellent mechanical strength, clean detailed product lines and excellent heat dissipation.

#### Pre paint

8 step degrease and phosphate process that includes deoxidizing and etching as well as a zinc and nickel phosphate process before product painting.

#### Memory Retentive -Silicon Gasket

Provided with special injection molded “fit for purpose” long life high temperature memory retentive silicon gaskets. Maintains the gaskets exact profile and seal over years of use and compression.

#### Thermal management

LM6 Aluminum is used for its excellent mechanical strength and thermal dissipation properties in low and high ambient temperatures. The superior thermal heat sink design by Ligman used in conjunction with the driver, controls thermals below critical temperature range to ensure maximum luminous flux output, as well as providing long LED service life and ensuring less than 10% lumen depreciation at 50,000 hours.

#### Surge Suppression

Standard 10kv surge suppressor provided with all fixtures.

#### BUG Rating

B1 - U4 - G1

#### Finishing

All Ligman products go through an extensive finishing process that includes fettling to improve paint adherence.

#### Paint

UV Stabilized 4.9Mil thick powder coat paint and baked at 200 Deg C. This process ensures that Ligman products can withstand harsh environments. Rated for use in natatoriums.

#### Hardware

Provided Hardware is Marine grade 316 Stainless steel.

#### Anti Seize Screw Holes

Tapped holes are infused with a special anti seize compound designed to prevent seizure of threaded connections, due to electrolysis from heat, corrosive atmospheres and moisture.

#### Opal Borosilicate Glass Lens

Provided with opal borosilicate impact resistant glass.

#### Optics & LED

Precise optic design provides exceptional light control and precise distribution of light. LED CRI > 80

#### Lumen - Maintenance Life

L80 /B10 at 50,000 hours (This means that at least 90% of the LED still achieve 80% of their original flux)

### Classic urban neighborhood bollard luminaire family. Timeless lines coupled with unparalleled build quality, flexibility and performance.

A decorative bollard with a symmetrical light distribution. Developed to complement the Atlantic range of pillar lights, post top and wall light luminaires. Designed for various applications including entrances, gardens, precincts and pathways.

Low copper content corrosion resistant extruded die-cast aluminum column. 316 Stainless steel hardware, durable silicone rubber gasket and impact resistant tempered opal diffuser. The luminaire is treated with a chemical nickel and zinc phosphate protection before powder coating (4.9 mil thickness), ensuring high corrosion resistance. Integral control gear.

This fixture is provided with an integrated waterproof driver box at the top of the bollard that ensures that the electrical components are protected from water and dust. This fixture is prewired to the base of the bollard facilitated easy electrical connections onsite. A laser cut anchor bolt template is provided for accurate anchor bolt installation. Options of house side shields and GFCI boxes are available. Please contact the factory for more information.

#### Security Bollard:

The Atlantic Bollard is available as a traffic rated security bollard. This optional design includes a 1/4" wall thickness galvanized steel security pole with 2 1" galvanized cross support rods that are embedded into concrete.

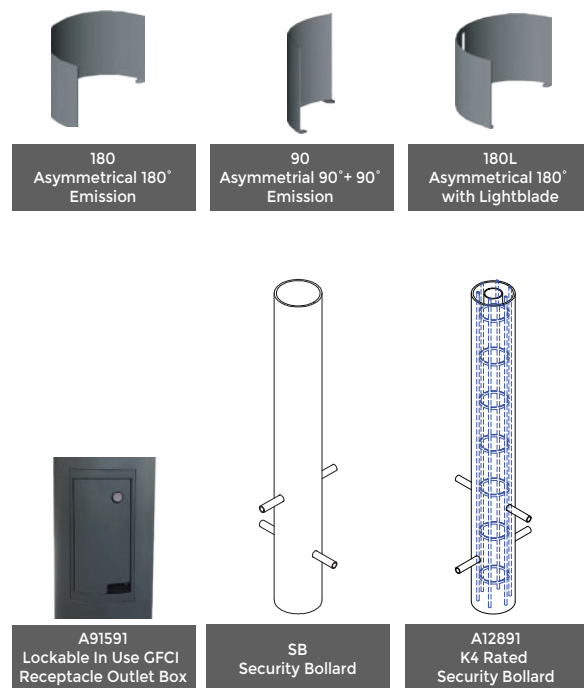
The standard security bollard provides restraint of vehicular traffic in unauthorized areas.

Impact calculations shows this bollard will stop a 5,500lb/2.75 tons vehicle, travelling at 30mph.

For additional strength, the galvanized pole can be filled with concrete up to the waterproof driver housing to provide a solid concrete barrier.

A K4 rated security bollard is also available. This bollard is provided with internal reinforcement and must be filled with concrete at the job site by others. This bollard will stop a 15,000lb vehicle traveling at 30mph.

### Additional Options (Consult Factory For Pricing)



# UAA-10106

Atlantic 2 Bollard

<b>PROJECT</b>		<b>DATE</b>	
----------------	--	-------------	--

<b>QUANTITY</b>		<b>TYPE</b>		<b>NOTE</b>	
-----------------	--	-------------	--	-------------	--

ORDERING EXAMPLE || UAA - 10106 - 41w - 1 - W30 - 02 - 120/277v - Options

<b>UAA-10106</b>					
<b>LAMP</b>	<b>TOP</b>	<b>LED COLOR</b>	<b>FINISH COLOR</b>	<b>VOLTAGE</b>	
41w COB 1602 Lumens 29w COB 1133 Lumens	1 - Dome Top  2 - Flat Top 	W27 - 2700K W30 - 3000K W35 - 3500K W40 - 4000K	01 - BLACK RAL 9011 02 - DARK GREY RAL 7043 03 - WHITE RAL 9003 04 - METALLIC SILVER RAL 9006 05 - MATTE SILVER RAL 9006 06 - LIGMAN BRONZE 07 - CUSTOM RAL 	120/277v Other - Specify	

--	--	--	--

## ADDITIONAL OPTIONS

- |  |  |
|--|--|
| DIM - 0-10v Dimming<br>NAT - Natatorium Rated<br>SB - Security Bollard<br>A12891 - K4 Rated Security Bollard<br>HGT - Custom Height<br><small>(SPECIFY HEIGHT)</small> | 180 - 180° Emission<br>90 - 90°+ 90° Emission<br>180L - 180° Emission w/ Lightblade<br>A91591 - Lockable In Use GFCI Receptacle Outlet Box |
|--|--|

# Atlantic Product Family



Atlantic 1

- UAA-10076-41w-1454lm [Ø6.3"- 30.3"/29.6"]
- UAA-10086-41w-1454lm [Ø6.3"- 19.6"/18.8"]
- UAA-70077-41w-1454lm [Ø6.3"- 42.4"/41.6"]



Atlantic 2

- UAA-10096-41w-1602lm [Ø7.3"- 32.6"/31.3"]
- UAA-10106-41w-1602lm [Ø7.3"- 44.6"/43.3"]
- UAA-70087-41w-1602lm [Ø7.3"- 21.9"/20.6"]



Atlantic 3

- UAA-20046-29w-1105lm



Atlantic 4

- UAA-20076-41w-2632lm



Atlantic 5

- UAA-20166-41w-2632lm



Atlantic 6

- UAA-20660-40w-4222lm



Atlantic 7

- UAA-30146-29w-1105lm



Atlantic 8

- UAA-30156-41w-2632lm



Atlantic 9

- UAA-30186-41w-2632lm



Atlantic 10

- UAA-30640-40w-4222lm



Atlantic 13

- UAA-95016-41w-2632lm