

USY- 30924

Syndy Wall Light Oval



Surface



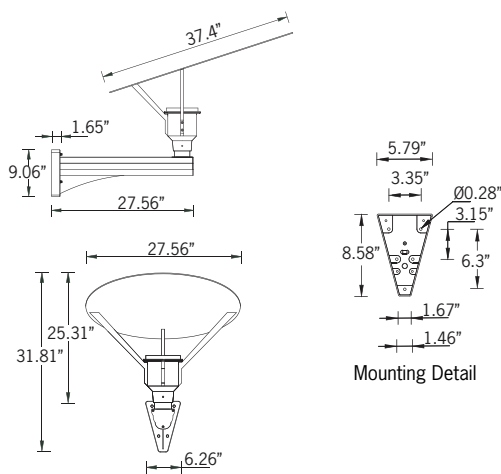
Physical Data

Length • 37.4"

Height • 31.81"

Weight • 30 lbs

IP65 • Suitable For Wet Locations
IK09 • Impact Resistant (Vandal Resistant)



A decorative wall lantern with excellent downward symmetrical light distribution and visual appeal. The precision optical system gives very low glare rating, while reducing light pollution. Developed to compliment Syndy indirect post top and street lanterns. Designed for lighting of entrances, footpaths and car parks. Low copper content die-cast aluminum housing with high corrosion resistance. Stainless steel screws. Durable silicone rubber gasket and clear toughened glass. Housing is treated with a chemical chromatinized protection before powder coating, ensuring high corrosion resistance. Integral control gear. White painted aluminum reflector on the top of luminaire.

Aluminum Casting

Less than 0.1% copper content – Marine Grade LM6 Aluminum High Pressure die casting provides excellent mechanical strength, clean detailed product lines and excellent heat dissipation.

Pre paint

8 step degrease and phosphate process that includes deoxidizing and etching as well as a zinc and nickel phosphate process before product painting.

Memory Retentive -Silicon Gasket.

Provided with special injection molded “fit for purpose” long life high temperature **memory retentive silicon gaskets**. Maintains the gaskets exact profile and seal over years of use and compression.

Thermal management.

LM6 Aluminum is used for its **excellent mechanical strength and thermal dissipation properties** in low and high ambient temperatures. The superior thermal heat sink design by Ligman used in conjunction with the driver, controls thermals below critical temperature range to ensure maximum luminous flux output, as well as providing long LED service life and ensuring less than 10% lumen depreciation at 50,000 hours.

Surge Suppression

Standard 10kv surge suppressor provided with all fixtures.

Finishing.

All Ligman products go through an extensive finishing process that includes fettling to improve paint adherence.

Paint.

UV Stabilized 4.9Mil thick powder coat paint and baked at 200 Deg C.

This process ensures that Ligman products can withstand harsh environments. Rated for use in natatoriums.

Hardware.

Provided Hardware is **Marine grade 316 Stainless steel**.

Anti Seize Screw Holes

Tapped holes are infused with a **special anti seize compound** designed to prevent seizure of threaded connections, due to electrolysis from heat, corrosive atmospheres and moisture.

Crystal Clear Low Iron Glass Lens.

Provided with tempered, impact resistant **crystal clear low iron glass** ensuring no green glass tinge.

Optics & LED

Precise optic design provides **exceptional light control and precise distribution of light**. LED CRI > 80

Lumen - Maintenance Life

L80 /B10 at 50,000 hours (This means that at least 90% of the LED still achieve 80% of their original flux)

Standard Options

Lamp
40w LED
2351lm

LED Color
W27 • 2700K
W30 • 3000K
W40 • 4000K

Finish Color

01 - Black - RAL 9011	
02 - Dark Grey - RAL 7043	
03 - White - RAL 9003	
04 - Metallic Silver - RAL 9006	
05 - Matte Silver - RAL 9006	
06 - Bronze - RAL 6014	
07 - Custom RAL	

Options (Consult Factory for Pricing)

NAT • Natatorium & High Salt Environments

Ordering Example : USY - 30924 - 40w - W30 - 02 - 120/277v - Options

USY	30924	Lamp	LED Color	Color	Voltage	Options																				
		40w LED	<table border="0"> <tr><td>W27</td><td>2700K</td></tr> <tr><td>W30</td><td>3000K</td></tr> <tr><td>W40</td><td>4000K</td></tr> </table>	W27	2700K	W30	3000K	W40	4000K	<table border="0"> <tr><td>01</td><td>Black</td></tr> <tr><td>02</td><td>Dark Grey</td></tr> <tr><td>03</td><td>White</td></tr> <tr><td>04</td><td>Metallic Silver</td></tr> <tr><td>05</td><td>Matte Silver</td></tr> <tr><td>06</td><td>Bronze</td></tr> <tr><td>07</td><td>Custom RAL</td></tr> </table>	01	Black	02	Dark Grey	03	White	04	Metallic Silver	05	Matte Silver	06	Bronze	07	Custom RAL	120/277v Other (Specify)	NAT Natatorium Rated
W27	2700K																									
W30	3000K																									
W40	4000K																									
01	Black																									
02	Dark Grey																									
03	White																									
04	Metallic Silver																									
05	Matte Silver																									
06	Bronze																									
07	Custom RAL																									

PROJECT:

DATE:

QUANTITY:

TYPE:

NOTE:

Head Office:

7144 NW Progress Ct
Hillsboro, Oregon 97124

Tel: 503-645-0500
Fax: 503-645-8100

www.ligmanlightingusa.com



Intertek

