

USE-90012-A30160

Steamer Large Rectangular Surface



209w 28297 Lumens | 157w LED 21256 Lumens
 120w LED 16247 Lumens | 80w LED 10831 Lumens
 29w LED 3926 Lumens
 IP66 • Suitable For Wet Locations
 IK08 • Impact Resistant (Vandal Resistant)
 Weight 24.6 lbs

Construction

Aluminum.
 Less than 0.1% copper content – Marine Grade 6060 extruded & LM6 Aluminum High Pressure die casting provides excellent mechanical strength, clean detailed product lines and excellent heat dissipation.

Pre paint
 8 step decrease and phosphate process that includes deoxidizing and etching as well as a zinc and nickel phosphate process before product painting.

Memory Retentive - Silicon Gasket
 Provided with special injection molded "fit for purpose" long life high temperature memory retentive silicon gaskets. Maintains the gaskets exact profile and seal over years of use and compression.

Thermal management
 LM6 Aluminum is used for its excellent mechanical strength and thermal dissipation properties in low and high ambient temperatures. The superior thermal heat sink design by Ligman used in conjunction with the driver, controls thermals below critical temperature range to ensure maximum luminous flux output, as well as providing long LED service life and ensuring less than 10% lumen depreciation at 50,000 hours.

Surge Suppression
 Standard 10kv surge suppressor provided with all fixtures.

BUG Rating
 B3 - U0 - G3

Finishing.
 All Ligman products go through an extensive finishing process that includes fettling to improve paint adherence.

Paint
 UV Stabilized 4.9Mil thick powder coat paint and baked at 200 Deg C. This process ensures that Ligman products can withstand harsh environments. Rated for use in natatoriums.

Inspired by Nature Finishes
 The Inspired by nature Finishing is a unique system of decorative powder coating. Our metal decoration process can easily transform the appearance of metal or aluminum product into a wood grain finish.

This patented technology enables the simulation of wood grain, and even marble or granite finish through the use of decorative powder coating.

The wood grain finish is so realistic that it's almost undistinguishable from real wood, even from a close visual inspection. The system of coating permeates the entire thickness of the coat and as a result, the coating cannot be removed by normal rubbing, chipping, or scratching.

The Coating Process
 After pre-treatment the prepared parts are powder coated with a specially formulated polyurethane powder. This powder provides protection against wear, abrasion, impact and corrosion and acts as the relief base color for the finalized metal decoration.

The component is then wrapped with a sheet of non-porous film with the selected decoration pattern printed on it using special high temperature inks.

This printed film transfer is vacuum-sealed to the surface for a complete thermo print and then transferred into a customized oven. The oven transforms the ink into different forms within the paint layer before it becomes solid. Finally, the film is removed, and a vivid timber look on aluminum remains.

Wood grain coating can create beautiful wood-looking products of any sort. There are over 300 combinations of designs currently in use. Wood grains can be made with different colors, designs, etc.

Our powder coatings are certified for indoor and outdoor applications and are backed by a comprehensive warranty. These coatings rise to the highest conceivable standard of performance excellence and design innovation.

- Added Benefits**
- Resistance to salt-acid room, accelerated aging
 - Boiling water, lime and condensed water resistant
 - Anti-Graffiti, Anti-Slip, Anti-Microbial, Anti-Scratch
 - Super durable (UV resistant)
 - TGIC free (non-toxic)

Hardware
 Provided Hardware is Marine grade 316 Stainless steel.

Anti Seize Screw Holes
 Tapped holes are infused with a special anti seize compound designed to prevent seizure of threaded connections, due to electrolysis from heat, corrosive atmospheres and moisture.

Crystal Clear Low Iron Glass Lens
 Provided with tempered, impact resistant crystal clear low iron glass ensuring no green glass tinge.

Optics & LED
 Precise optic design provides exceptional light control and precise distribution of light.
 LED CRI > 80

Lumen - Maintenance Life
 L80 /B10 at 50,000 hours (This means that at least 90% of the LED still achieve 80% of their original flux)

Surface wall-mounted contemporary area lighting family. Modern and powerful high-end, optimum-quality area lighting projectors.

A slim wedge shaped, high pressure die-cast pole mounted area light with a variety of different light distributions to suit all lighting designer's requirements. This luminaire has been designed to provide excellent light distribution patterns using highly efficient LED packages and optics. The result is excellent spacing to mounting height ratios, with a uniform lighting layout that meets code requirements using less energy.

The Steamer can be utilized to suit specific light patterns using the asymmetrical type II, III, IV and ME optics, as well as variations of these for precise light distribution requirements. An example of this is using a combination of Type II & Type IV distribution optics inside the same fixture.

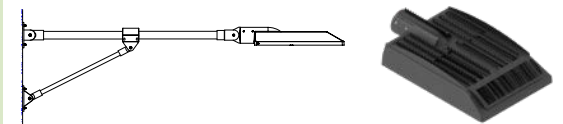
Type V distributions in medium, wide, very wide & extra wide are also available, please contact factory.

This luminaire complies to dark sky requirements when mounted in the horizontal position. Designed for lighting private roadways, car parks, exhibition areas, service stations and truck stops. Internal house side shields are available as an option.

Available with a selection of integral electronic and dimmable electronic drivers as well as a provision to install occupancy sensors, as well as wireless lighting controls to integrate with building management systems. (WATT-ADJUST) This luminaire is provided with a programmable driver so that specific wattage requirements can be achieved. These settings are done at the factory during assembly.

To meet International Dark Sky criteria, 3000k or warmer LEDs must be selected and luminaire fix mounted (+/- 15° allowable to permit leveling).

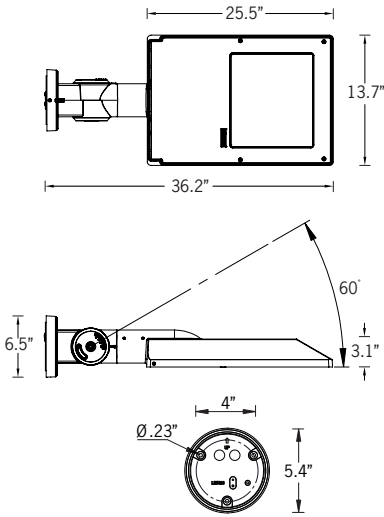
Additional Options (Consult Factory For Pricing)



A31291 Gantry Arm Wall Mount BD Bird Deterrent Spikes



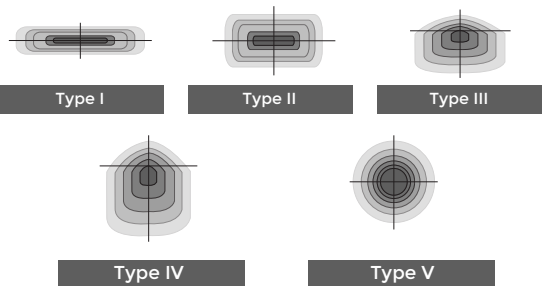
A90991 Zhaga Book 18 A90891 NEMA 7



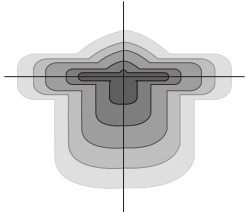
Mounting Detail



Ligman's micro Variable Optical System provides the ability to interchange, mix & rotate optics to provide specific light distributions for optimized spacing and uniformity.



The variable optic system allows for the designer to create hybrid distributions for precise lighting requirements.



HYBRID TYPE I & TYPE IV

USE-90012-A30160

Steamer Large Rectangular Surface



PROJECT		DATE	
----------------	--	-------------	--

QUANTITY		TYPE		NOTE	
-----------------	--	-------------	--	-------------	--

ORDERING EXAMPLE || USE - 90012 - 157w - T2 - W30 - 02 - 120/277v - A30160 - Options

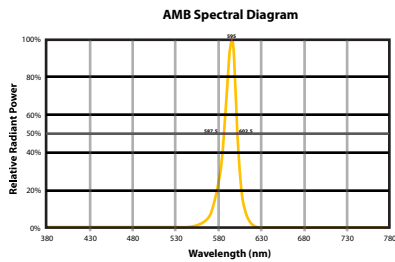
USE-90012					
LAMP	BEAM	LED COLOR	FINISH COLOR	VOLTAGE	
209w LED - 28297lm 157w LED - 21256lm 120w LED - 16247lm 80w LED - 10831lm 29w LED - 3926lm WATT-ADJUST (Factory programmed to specific wattage)	M - Medium 30° W - Wide 57° EW - Extra Wide 105°x115° T1 - Type I Distribution T2 - Type II Distribution T3 - Type III Distribution T4 - Type IV Distribution ME - Type ME Distribution	W27 - 2700K W30 - 3000K W35 - 3500K W40 - 4000K	01 - BLACK RAL 9011 02 - DARK GREY RAL 7043 03 - WHITE RAL 9003 04 - METALLIC SILVER RAL 9006 05 - MATTE SILVER RAL 9006 06 - LIGMAN BRONZE 07 - CUSTOM RAL	120/277v Other - Specify	

--	--	--

ADDITIONAL OPTIONS

- | | |
|--------------------------------|---------------------------------|
| NAT - Natatorium Rated | AMB - Turtle Friendly Amber LED |
| DIM - 0-10v Dimming | BD - Bird Deterrent Spikes |
| OS - Occupancy Sensor | A90991 - Zhaga Book 18 |
| A31291 - Gantry Arm Wall Mount | A90891 - NEMA 7 |

CITY OF FLAGSTAFF & TURTLE FRIENDLY COMPLIANT



Narrow-Spectrum Amber LEDs
 Peak wavelength between 585 & 595 nanometers and a full width of 50% power no greater than 15 nanometers.

More Custom Finishes Available Upon Request

Consult factory for pricing and lead times



- INSPIRED BY NATURE FINISHES**
- SW01 - OAK FINISH
 - SW02 - WALNUT FINISH
 - SW03 - PINE FINISH
 - DF - DOUGLAS FIR FINISH
 - CW - CHERRY WOOD FINISH
 - NW - NATIONAL WALNUT FINISH
 - SU01 - CONCRETE FINISH
 - SU02 - SOFTSCAPE FINISH
 - SU03 - STONE FINISH
 - SU04 - CORTEN FINISH
- THERE IS AN ADDITIONAL COST FOR THESE FINISHES



Steamer Product Family



Steamer 1

- USE-90002-SU-105w-14374lm
- USE-90002-SU-80w-10751lm
- USE-90002-SU-50w-6844lm
- USE-90002-SU-29w-3969lm



Steamer 1

- USE-90002-105w-14374lm
- USE-90002-80w-10751lm
- USE-90002-50w-6844lm
- USE-90002-29w-3969lm



Steamer 2

- USE-90012-SU-209w-28297lm
- USE-90012-SU-157w-21256lm
- USE-90012-SU-120w-16247lm
- USE-90012-SU-80w-10831lm
- USE-90012-SU-29w-3926lm



Steamer 2

- USE-90012-209w-28297lm
- USE-90012-157w-21256lm
- USE-90012-120w-16247lm
- USE-90012-80w-10831lm
- USE-90012-29w-3926lm



Steamer 11

- USE-90022-SU-105w-14374lm
- USE-90022-SU-80w-10751lm
- USE-90022-SU-50w-6844lm
- USE-90022-SU-29w-3969lm



Steamer 11

- USE-90022-105w-14374lm
- USE-90022-80w-10751lm
- USE-90022-50w-6844lm
- USE-90022-29w-3969lm



Steamer 12

- USE-90032-SU-209w-28297lm
- USE-90032-SU-157w-21256lm
- USE-90032-SU-120w-16247lm
- USE-90032-SU-80w-10831lm
- USE-90032-SU-29w-3926lm



Steamer 12

- USE-90032-209w-28297lm
- USE-90032-157w-21256lm
- USE-90032-120w-16247lm
- USE-90032-80w-10831lm
- USE-90032-29w-3926lm

Pole Configurations



A91060



A91160



A91260



A91360



A91260



A91360



A91460



A91560