



Construction

Aluminum.
Less than 0.1% copper content - Marine Grade 6060 extruded & LM6 Aluminum High Pressure die casting provides excellent mechanical strength, clean detailed product lines and excellent heat dissipation.

Pre_paint
8 step degrease and phosphate process that includes deoxidizing and etching as well as a zinc and nickel phosphate process before product painting.

Memory Retentive -Silicon Gasket
Provided with special injection molded "fit for purpose" long life high temperature memory retentive silicon gaskets. Maintains the gaskets exact profile and seal over years of use and compression.

Thermal management
LM6 Aluminum is used for its excellent mechanical strength and thermal dissipation properties in low and high ambient temperatures. The superior thermal heat sink design by Ligman used in conjunction with the driver, controls thermals below critical temperature range to ensure maximum luminous flux output, as well as providing long LED service life and ensuring less than 10% lumen depreciation at 50,000 hours.

Surge Suppression
Standard 10kv surge suppressor provided with all fixtures.

BUG Rating
B1 - U0 - G1

Finishing.
All Ligman products go through an extensive finishing process that includes fettling to improve paint adherence.

Paint
UV Stabilized 4.9Mil thick powder coat paint and baked at 200 Deg C. This process ensures that Ligman products can withstand harsh environments. Rated for use in natatoriums.

Inspired by Nature Finishes
The Inspired by nature Finishing is a unique system of decorative powder coating. Our metal decoration process can easily transform the appearance of metal or aluminum product into a wood grain finish.

This patented technology enables the simulation of wood grain, and even marble or granite finish through the use of decorative powder coating.

The wood grain finish is so realistic that it's almost undistinguishable from real wood, even from a close visual inspection. The system of coating permeates the entire thickness of the coat and as a result, the coating cannot be removed by normal rubbing, chipping, or scratching.

The Coating Process
After pre-treatment the prepared parts are powder coated with a specially formulated polyurethane powder. This powder provides protection against wear, abrasion, impact and corrosion and acts as the relief base color for the finalized metal decoration.

The component is then wrapped with a sheet of non-porous film with the selected decoration pattern printed on it using special high temperature inks.

This printed film transfer is vacuum-sealed to the surface for a complete thermo print and then transferred into a customized oven. The oven transforms the ink into different forms within the paint layer before it becomes solid. Finally, the film is removed, and a vivid timber look on aluminum remains.

Wood grain coating can create beautiful wood-looking products of any sort. There are over 300 combinations of designs currently in use. Wood grains can be made with different colors, designs, etc.

Our powder coatings are certified for indoor and outdoor applications and are backed by a comprehensive warranty. These coatings rise to the highest conceivable standard of performance excellence and design innovation.

- Added Benefits**
- Resistance to salt-acid room, accelerated aging
 - Boiling water, lime and condensed water resistant
 - Anti-Graffiti, Anti-Slip, Anti-Microbial, Anti-Scratch
 - Super durable (UV resistant)
 - TGIC free (non-toxic)

Hardware
Provided Hardware is Marine grade 316 Stainless steel.

Anti Seize Screw Holes
Tapped holes are infused with a special anti seize compound designed to prevent seizure of threaded connections, due to electrolysis from heat, corrosive atmospheres and moisture.

Crystal Clear Low Iron Glass Lens
Provided with tempered, impact resistant crystal clear low iron glass ensuring no green glass tinge.

Optics & LED
Precise optic design provides exceptional light control and precise distribution of light. LED CRI > 80

Lumen - Maintenance Life
L80 /B10 at 50,000 hours (This means that at least 90% of the LED still achieve 80% of their original flux)

Rounded profile wall-mounted area downlight. Classic and practical profile affording wildlife and dirt resistant urban area lighting solutions.

A small size quarter-cylindrical wall mounted luminaire with a selection of precision optics providing type I, II, III, IV & V light distributions for optimum spacing and perfect uniformity between light fixtures.

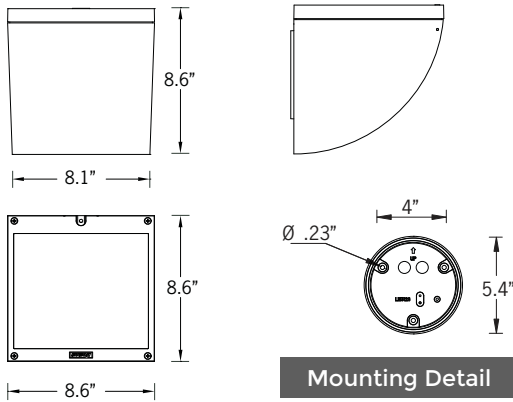
This light fixture has vandal proof tempered glass with specially designed silicon gaskets that allow the fixture to be mounted as an uplight, as well as downlight configurations.

Installation is made easy with a die cast aluminum wall mount casting, that is attached to the wall before securing the fixture with a single vandal resistant screw.

The lens is available in clear or lightly frosted options to suit customer requirements. Designed for the illumination of entrances, terraces, corridors and building facades. For mounting in upward or downward positions.

To meet International Dark Sky criteria, 3000k or warmer LEDs must be selected and luminaire fix mounted (+/- 15° allowable to permit leveling).

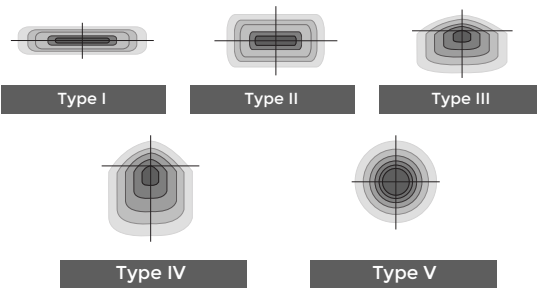
37w LED 5121 Lumens | 53w LED 7178 Lumens
IP65 • Suitable For Wet Locations
IK08 • Impact Resistant (Vandal Resistant)
Weight 6.8 lbs



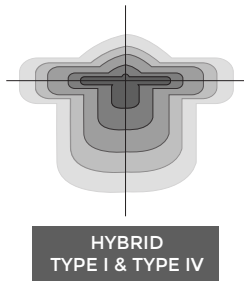
Mounting Detail



Ligman's micro Variable Optical System provides the ability to interchange, mix & rotate optics to provide specific light distributions for optimized spacing and uniformity.

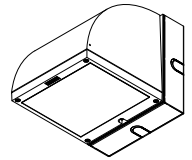
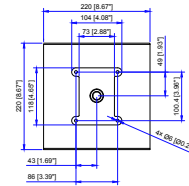


The variable optic system allows for the designer to create hybrid distributions for precise lighting requirements.



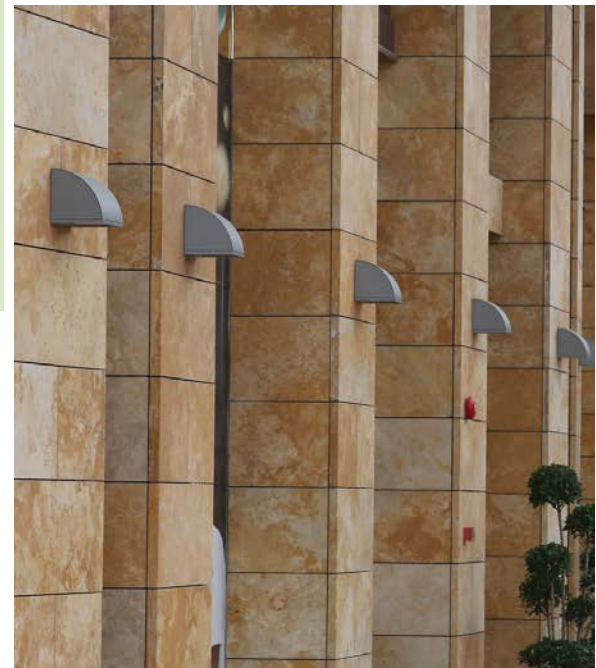
HYBRID
TYPE I & TYPE IV

Additional Options (Consult Factory For Pricing)



SCBT
Surface Conduit Box Trim

NOTE: This trim covers a shallow single gang, surface mount junction box [Provided by contractor]
Example: Hubbell - 5322-0 - 1-Gang Weatherproof Box, Five 1/2" in. Threaded Outlets - or - 5332-0 - 1-Gang Weatherproof Box, Five 3/4 in. Threaded Outlets



PROJECT		DATE	
----------------	--	-------------	--

QUANTITY		TYPE		NOTE	
-----------------	--	-------------	--	-------------	--

ORDERING EXAMPLE || UQU - 31343 - 37w - T2 - W30 - 02 - 120/277v - Options

UQU-31343					
LAMP	BEAM	LED COLOR	FINISH COLOR	VOLTAGE	
37w LED 5121 Lumens	M - Medium Beam 30° W - Wide Beam 56° EW - Extra Wide Beam 112°	W27 - 2700K W30 - 3000K W35 - 3500K W40 - 4000K	01 - BLACK RAL 9011 02 - DARK GREY RAL 7043 03 - WHITE RAL 9003 04 - METALLIC SILVER RAL 9006 05 - MATTE SILVER RAL 9006 06 - LIGMAN BRONZE 07 - CUSTOM RAL	120/277v Other - Specify	
53w LED 7178 Lumens	T1 - Type I Distribution T2 - Type II Distribution T3 - Type III Distribution T4 - Type IV Distribution ME - Type ME Distribution		<div style="border: 1px solid #ccc; padding: 5px;"> <p>INSPIRED BY NATURE FINISHES</p> <p>SW01 - OAK FINISH</p> <p>SW02 - WALNUT FINISH</p> <p>SW03 - PINE FINISH</p> <p>DF - DOUGLAS FIR FINISH</p> <p>CW - CHERRY WOOD FINISH</p> <p>NW - NATIONAL WALNUT FINISH</p> <p>SU01 - CONCRETE FINISH</p> <p>SU02 - SOFTSCAPE FINISH</p> <p>SU03 - STONE FINISH</p> <p>SU04 - CORTEN FINISH</p> </div>		

ADDITIONAL OPTIONS		

- | | |
|---------------------------------|---------------------------------|
| NAT - Natatorium Rated | F - Frosted Lens |
| DIM - 0-10v Dimming | EMG - Emergency Battery Pack |
| SCBT - Surface Conduit Box Trim | AMB - Turtle Friendly Amber LED |

INSPIRED BY NATURE FINISHES

SW01 - OAK FINISH

SW02 - WALNUT FINISH

SW03 - PINE FINISH

DF - DOUGLAS FIR FINISH

CW - CHERRY WOOD FINISH

NW - NATIONAL WALNUT FINISH

SU01 - CONCRETE FINISH

SU02 - SOFTSCAPE FINISH

SU03 - STONE FINISH

SU04 - CORTEN FINISH

THERE IS AN ADDITIONAL COST FOR THESE FINISHES

More Custom Finishes Available Upon Request

Consult factory for pricing and lead times



Quarter Product Family



Quarter 1

- UQU-31343-37w-512lm
- UQU-31343-53w-7178lm



Quarter 1

- UQU-20001-37w-512lm
- UQU-20002-53w-7171lm
- UQU-20011-2x37w-2x512lm
- UQU-20012-2x53w-7171lm