

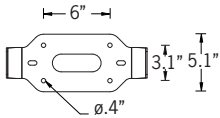
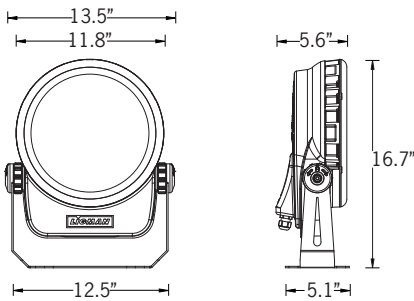
UQA-50015

Quantum 2 Medium RGBW Floodlight



RGBW

77w LED 3555 Lumens
 IP66 • Suitable For Wet Locations
 IK08 • Impact Resistant (Vandal Resistant)
 Weight 18.7 lbs



Mounting Detail

Construction

Aluminum
 Less than 0.1% copper content – Marine Grade 6060 extruded & LM6 Aluminum High Pressure die casting provides excellent mechanical strength, clean detailed product lines and excellent heat dissipation.

Pre paint
 8 step deprime and phosphate process that includes deoxidizing and etching as well as a zinc and nickel phosphate process before product painting.

Memory Retentive -Silicon Gasket
 Provided with special injection molded "fit for purpose" long life high temperature memory retentive silicon gaskets. Maintains the gaskets exact profile and seal over years of use and compression.

Thermal management
 LM6 Aluminum is used for its excellent mechanical strength and thermal dissipation properties in low and high ambient temperatures. The superior thermal heat sink design by Ligman used in conjunction with the driver, controls thermal below critical temperature range to ensure maximum luminous flux output, as well as providing long LED service life and ensuring less than 10% lumen depreciation at 50,000 hours.

Surge Suppression
 Standard 10kv surge suppressor provided with all fixtures.

BUG Rating
 B5 - U5 - G5

Finishing
 All Ligman products go through an extensive finishing process that includes fettling to improve paint adherence.

Paint
 UV Stabilized 4.9Mil thick powder coat paint and baked at 200 Deg C. This process ensures that Ligman products can withstand harsh environments. Rated for use in natatoriums.

Inspired by Nature Finishes
 The Inspired by nature Finishing is a unique system of decorative powder coating. Our metal decoration process can easily transform the appearance of metal or aluminum product into a wood grain finish.

This patented technology enables the simulation of wood grain, and even marble or granite finish through the use of decorative powder coating.

The wood grain finish is so realistic that it's almost undistinguishable from real wood, even from a close visual inspection. The system of coating permeates the entire thickness of the coat and as a result, the coating cannot be removed by normal rubbing, chipping, or scratching.

The Coating Process
 After pre-treatment the prepared parts are powder coated with a specially formulated polyurethane powder. This powder provides protection against wear, abrasion, impact and corrosion and acts as the relief base color for the finalized metal decoration.

The component is then wrapped with a sheet of non-porous film with the selected decoration pattern printed on it using special high temperature inks.

This printed film transfer is vacuum-sealed to the surface for a complete thermo print and then transferred into a customized oven. The oven transforms the ink into different forms within the paint layer before it becomes solid. Finally, the film is removed, and a vivid timber look on aluminum remains.

Wood grain coating can create beautiful wood-looking products of any sort. There are over 300 combinations of designs currently in use. Wood grains can be made with different colors, designs, etc.

Our powder coatings are certified for indoor and outdoor applications and are backed by a comprehensive warranty. These coatings rise to the highest conceivable standard of performance excellence and design innovation.

- Added Benefits**
- Resistance to salt-acid room, accelerated aging
 - Boiling water, lime and condensed water resistant
 - Anti-Graffiti, Anti-Slip, Anti-Microbial, Anti-Scratch
 - Super durable (UV resistant)
 - TGIC free (non-toxic)

Hardware
 Provided Hardware is Marine grade 316 Stainless steel.

Anti Seize Screw Holes
 Tapped holes are infused with a special anti seize compound designed to prevent seizure of threaded connections, due to electrolysis from heat, corrosive atmospheres and moisture.

Crystal Clear Low Iron Glass Lens
 Provided with tempered, impact resistant crystal clear low iron glass ensuring no green glass tinge.

Optics & LED
 Precise optic design provides exceptional light control and precise distribution of light.
 LED CRI > 80

Lumen - Maintenance Life
 L80 /B10 at 50,000 hours (This means that at least 90% of the LED still achieve 80% of their original flux)

Adjustable surface-mounted technical floodlights. Premium projector solutions with stylish modern design, unique rotary thermal guard and numerous project options.

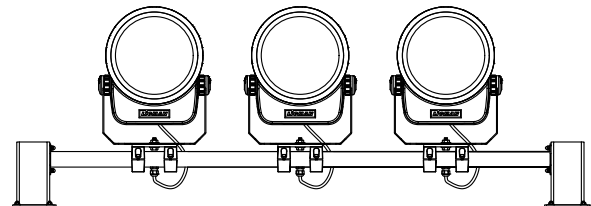
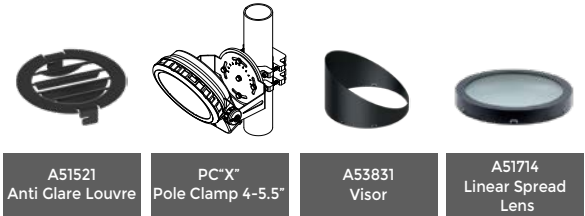
Quantum small and medium LED projector range with a modern and smart design. The high pressure die-cast housings have integrated heat sinks, as well as an internal waterproof control gear housing compartment. The mounting arm is attached to a ratcheting tilting adjustment that is lockable once the desired aiming position has been achieved. This mechanism allows for small incremental adjustments for precision aiming.

This fixture has been designed around powerful high performance LEDs and precision optics so that the luminaire can be used to illuminate various applications from building facades to high multi story surfaces and accents.

This luminaire range is available with RGBW dynamic color changing technology or static white LEDs to give the specifier artistic lighting options within the same unified product family.

Available in Narrow, Medium, Wide and Elliptical light distribution. RGBW full colours render for each LEDs and static white for Color temperature 2700K, 3000K, 3500K and 4000K. Single cable gland entry for wiring is standard. Optional anti-glare louvers are available as an option. Consult factory for available configurations.

Additional Options (Consult Factory For Pricing)



RM Rail Mount Option
 (Number of Floods May Be Specified)



UQA-50015

Quantum 2 Medium RGBW Floodlight

PROJECT		DATE	
----------------	--	-------------	--

QUANTITY		TYPE		NOTE	
-----------------	--	-------------	--	-------------	--

ORDERING EXAMPLE || UQA - 50015 - 77w LED - N - RGBW30 - 02 - 120/277v

UQA-50015					
LAMP	BEAM	RGBW COLOR	FINISH COLOR	VOLTAGE	
77w LED 3555 Lumens	N - Narrow 21° M - Medium 35° E - Elliptical 26° x 48°	RGBW30 - Warm White 3200K RGBW40 - Neutral White 4000K RGBW65 - Cool White 6850K	01 - BLACK RAL 9011 02 - DARK GREY RAL 7043 03 - WHITE RAL 9003 04 - METALLIC SILVER RAL 9006 05 - MATTE SILVER RAL 9006 06 - LIGMAN BRONZE 07 - CUSTOM RAL	120/277v Other - Specify	

--	--	--	--

ADDITIONAL OPTIONS

F - Frosted Lens

NAT - Natatorium Rated

A51521 - Anti Glare Louvre

A53831 - Visor

A51714 - Linear Spread Lens

A53931 - Anti Glare Hood

PKM - Pedestal Knuckle Mount

RM - Rail Mounted
(Specify # of Floods)

POLE CLAMPS

PC4 - Pole Clamp 4" Dia

PC45 - Pole Clamp 4.5" Dia

PC5 - Pole Clamp 5" Dia

PC55 - Pole Clamp 5.5" Dia

INSPIRED BY NATURE FINISHES

SW01 - OAK FINISH

SW02 - WALNUT FINISH

SW03 - PINE FINISH

DF - DOUGLAS FIR FINISH

CW - CHERRY WOOD FINISH

NW - NATIONAL WALNUT FINISH

SU01 - CONCRETE FINISH

SU02 - SOFTSCAPE FINISH

SU03 - STONE FINISH

SU04 - CORTEN FINISH

THERE IS AN ADDITIONAL COST FOR THESE FINISHES



More Custom Finishes Available Upon Request

Consult factory for pricing and lead times



Example: Inspired by Nature Finish

Quantum Product Family



- UQA-50001-42w-3634lm
- UQA-50003-30w-2790lm
- UQA-50004-33w RGBW-1432lm



- UQA-50011-83w-8132lm
- UQA-50013-76w-8899lm
- UQA-50015-77w RGBW-3580lm



- UQA-50021-269w-27436lm
- UQA-50022-191w RGBW-12213lm



- UQA-21001-3x42w-3x3634lm
- UQA-21003-3x32w-3x3250lm
- UQA-21004-3x33w RGBW-3x1185lm
- UQA-21011-6x42w-6x3634lm
- UQA-21013-6x32w-6x3250lm
- UQA-21014-6x33w RGBW-6x1185lm



- UQA-21021-104w-10611lm
- UQA-21023-76w-7175lm
- UQA-21024-84w-8031lm
- UQA-21031-2x104w-2x10611lm
- UQA-21033-2x76w-2x7175lm
- UQA-21034-2x84w-2x8031lm



- UQA-21025-77w-4296lm
- UQA-21035-2x77w-2x4296lm