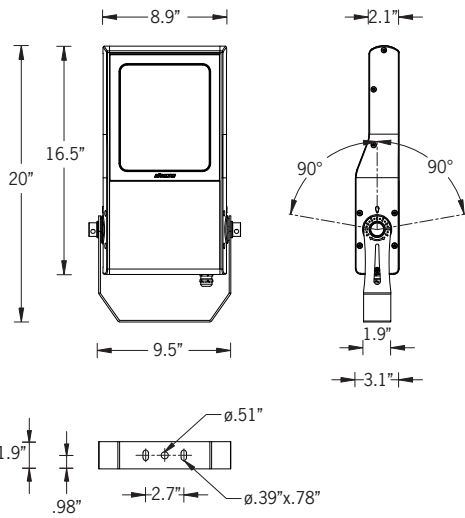


UPIB-50001

Pittsburgh 1 Floodlight



38w LED 5580 Lumens | 53w LED 7345 Lumens
 78w LED 11018 Lumens
 IP66 • Suitable For Wet Locations
 IK08 • Impact Resistant (Vandal Resistant)
 Weight 13 lbs



Mounting Detail

Construction

Aluminum.
 Less than 0.1% copper content – Marine Grade 6060 extruded & LM6 Aluminum High Pressure die casting provides excellent mechanical strength, clean detailed product lines and excellent heat dissipation.

Pre_paint
 8 step degrease and phosphate process that includes deoxidizing and etching as well as a zinc and nickel phosphate process before product painting.

Memory Retentive -Silicon Gasket
 Provided with special injection molded "fit for purpose" long life high temperature memory retentive silicon gaskets. Maintains the gaskets exact profile and seal over years of use and compression.

Thermal management
 LM6 Aluminum is used for its excellent mechanical strength and thermal dissipation properties in low and high ambient temperatures. The superior thermal heat sink design by Ligman used in conjunction with the driver, controls thermals below critical temperature range to ensure maximum luminous flux output, as well as providing long LED service life and ensuring less than 10% lumen depreciation at 50,000 hours.

Surge Suppression
 Standard 10kv surge suppressor provided with all fixtures.

BUG Rating
 Contact Factory

Finishing.
 All Ligman products go through an extensive finishing process that includes fettling to improve paint adherence.

Paint
 UV Stabilized 4.9mil thick powder coat paint and baked at 200 Deg C. This process ensures that Ligman products can withstand harsh environments. Rated for use in natatoriums.

Inspired by Nature Finishes
 The Inspired by nature Finishing is a unique system of decorative powder coating. Our metal decoration process can easily transform the appearance of metal or aluminum product into a wood grain finish.

This patented technology enables the simulation of wood grain, and even marble or granite finish through the use of decorative powder coating.

The wood grain finish is so realistic that it's almost undistinguishable from real wood, even from a close visual inspection. The system of coating permeates the entire thickness of the coat and as a result, the coating cannot be removed by normal rubbing, chipping, or scratching.

The Coating Process
 After pre-treatment the prepared parts are powder coated with a specially formulated polyurethane powder. This powder provides protection against wear, abrasion, impact and corrosion and acts as the relief base color for the finalized metal decoration.

The component is then wrapped with a sheet of non-porous film with the selected decoration pattern printed on it using special high temperature inks.

This printed film transfer is vacuum-sealed to the surface for a complete thermo print and then transferred into a customized oven. The oven transforms the ink into different forms within the paint layer before it becomes solid. Finally, the film is removed, and a vivid timber look on aluminum remains.

Wood grain coating can create beautiful wood-looking products of any sort. There are over 300 combinations of designs currently in use. Wood grains can be made with different colors, designs, etc.

Our powder coatings are certified for indoor and outdoor applications and are backed by a comprehensive warranty. These coatings rise to the highest conceivable standard of performance excellence and design innovation.

Added Benefits

- Resistance to salt-acid room, accelerated aging
- Boiling water, lime and condensed water resistant
- Anti-Graffiti, Anti-Slip, Anti-Microbial, Anti-Scratch
- Super durable (UV resistant)
- TGIC free (non-toxic)

Hardware
 Provided Hardware is Marine grade 316 Stainless steel.

Anti Seize Screw Holes
 Tapped holes are infused with a special anti seize compound designed to prevent seizure of threaded connections, due to electrolysis from heat, corrosive atmospheres and moisture.

Crystal Clear Low Iron Glass Lens
 Provided with tempered, impact resistant crystal clear low iron glass ensuring no green glass tinge.

Optics & LED
 Precise optic design provides exceptional light control and precise distribution of light.
 LED CRI > 80

Lumen - Maintenance Life
 L80 /B10 at 50,000 hours (This means that at least 90% of the LED still achieve 80% of their original flux)

Surface mounted low profile floodlight, and area luminaire. Offering a complete range of beam angles and lumen packages to suit the size and needs of each project.

A multipurpose floodlight for the lighting of both outdoor and indoor installations wherever a compact design, and a high degree of protection is required. Excellent optical system providing optimum lighting performance.

Static white light 2700K, 3000K, 3500K and 4000K, LED CRI >80 and RGBW color changing. The LED life time >50,000 Hours. Low copper content corrosion resistant die-cast aluminum body. Integral control gear with single cable gland PG16 for wiring. All external hardware in stainless steel.

Durable silicone rubber gasket and clear toughened glass with quick release hinge aluminum clips for in-position lamp replacement. The luminaire is treated with a chemical chromitized protection before powder coating, ensuring high corrosion resistance. Hot-dipped galvanized steel mounting bracket allows for ceiling, wall or surface mounting. A complete range of optional accessories are available for additional light control

Additional Options (Consult Factory For Pricing)



UPIB-50001

Pittsburgh 1 Floodlight

PROJECT		DATE	
----------------	--	-------------	--

QUANTITY		TYPE		NOTE	
-----------------	--	-------------	--	-------------	--

ORDERING EXAMPLE || UPIB - 50001 - 38w LED - N - W30 - 02 - 120/277v

UPIB-50001					
LAMP	BEAM	LED COLOR	FINISH COLOR	VOLTAGE	
38w LED 5580 Lumens	T1 - Type I Distribution T2 - Type II Distribution T3 - Type III Distribution T4 - Type IV Distribution	W27 - 2700K W30 - 3000K W35 - 3500K W40 - 4000K	01 - BLACK RAL 9011 02 - DARK GREY RAL 7043 03 - WHITE RAL 9003 04 - METALLIC SILVER RAL 9006 05 - MATTE SILVER RAL 9006 06 - LIGMAN BRONZE 07 - CUSTOM RAL	120/277v Other - Specify	
53w LED 7345 Lumens	VN - Very Narrow 5° N - Narrow 12°				
78w LED 11018 Lumens	M - Medium 25° W - Wide 55° VW - Very Wide 68° E - Elliptical 25°x97°				

INSPIRED BY NATURE FINISHES

SW01 - OAK FINISH	
SW02 - WALNUT FINISH	
SW03 - PINE FINISH	
DF - DOUGLAS FIR FINISH	
CW - CHERRY WOOD FINISH	
NW - NATIONAL WALNUT FINISH	
SU01 - CONCRETE FINISH	
SU02 - SOFTSCAPE FINISH	
SU03 - STONE FINISH	
SU04 - CORTEN FINISH	

THERE IS AN ADDITIONAL COST FOR THESE FINISHES

--	--	--

ADDITIONAL OPTIONS

- | | |
|----------------------------|---------------------------------|
| F - Frosted Lens | AMB - Turtle Friendly Amber LED |
| DIM - 0-10v Dimming | A54731 - Anti Glare Visor |
| NAT - Natatorium Rated | A54831 - Anti Glare Louvre |
| SAM - Small Adjustable Arm | PH - Painted Hardware |



PH
Painted Hardware

More Custom Finishes Available Upon Request

Consult factory for pricing and lead times

Oak	Cherry	Beech	Carbon
Walnut	Chestnut	Bamboo	Galvanized
Pine	Mahogany	Birch	Steel



Example: Inspired by Nature Finish

Pittsburgh Product Family



Pittsburgh 1

- UPIB-50001-38w-5580lm
- UPIB-50001-53w-7345lm
- UPIB-50001-78w-11018lm



Pittsburgh 1

- UPIB-50004-40w-2535lm
- UPIB-50004-60w-3622lm
- UPIB-50004-80w-4564lm



Pittsburgh 2

- UPIB-50011-76w-10723lm
- UPIB-50011-106w-14690lm
- UPIB-50011-156w-22035lm



Pittsburgh 2

- UPIB-50014-80w-5071lm
- UPIB-50014-120w-7244lm
- UPIB-50014-160w-9127lm



Pittsburgh 3

- UPIB-50021-108w-17610lm
- UPIB-50021-154w-23805lm
- UPIB-50021-222w-33053lm



Pittsburgh 3

- UPIB-50024-120w-7606lm
- UPIB-50024-180w-10866lm
- UPIB-50024-240w-13691lm



Pittsburgh 4

- UPIB-30001-39w-5580lm
- UPIB-30001-55w-7406lm
- UPIB-30001-73w-10381lm



Pittsburgh 4

- UPIB-30004-40w-2535lm
- UPIB-30004-60w-3622lm
- UPIB-30004-80w-4564lm



Pittsburgh 5

- UPIB-30011-76w-10723lm
- UPIB-30011-106w-14690lm
- UPIB-30011-156w-22035lm



Pittsburgh 5

- UPIB-30014-80w-5071lm
- UPIB-30014-120w-7244lm
- UPIB-30014-160w-9127lm



Pittsburgh 6

- UPIB-30021-108w-17610lm
- UPIB-30021-154w-23805lm
- UPIB-30021-222w-33053lm



Pittsburgh 6

- UPIB-30024-120w-7606lm
- UPIB-30024-180w-10866lm
- UPIB-30024-240w-13691lm